

best[®]

PERFORMANCE THAT INSPIRES

RANGE HOODS

BEST. Performance that inspires.™

Performance is a beautiful thing. It can be subtle or bold. It can take months or years to hone. Then impress you in an instant. A great performance gives the audience exactly what they want and more than they ever imagined. And it inspires everyone and everything around it to be better. At BEST, we make high performance range hoods that perform beautifully. Astonishingly quiet. Impressively effective. Remarkably efficient. And perfectly suited for the most distinguished kitchens. Whether it's the centerpiece of the room or letting its surroundings shine, BEST is where high-end performance inspires.



A range hood should **inspire your creativity.**

It should give inspiration to your kitchen's design. It should inspire your culinary endeavors, too. And it should do both quietly and efficiently. That's why BEST Range Hoods created the first blower system that's intelligent and quiet. The BEST iQ Blower System™—the most advanced, high-performance range hood blower available. BEST Range Hoods offer more choices to ensure you have the power and performance your kitchen and cooking styles demand. Be inspired by our hoods' performance and bring your imagination to life.

iQ Technology

Surpassing all other range hoods in performance, sound and energy use. The iQ Blower System can make life more comfortable while providing confidence in the operation and effectiveness of your range hood.

Range hoods with the iQ blower:

- Remove smoke and odors 30% faster than the competition.
- Are up to two times quieter than other hoods.
- Can be up to 22 times more efficient than other hoods.

Flexible solutions for every installation:

1. Great performance, when using specified duct sizes, is ensured by calibrating the hood at the touch of a button.
2. Peak performance, even in challenging/restricted duct installations is possible because the iQ blower calibrates to the highest CFM level possible.
3. Standard performance delivers confidence that the blower is operating at optimal factory settings.





Performance driven technology.

When it comes to inspiring kitchens, performance has many meanings. At BEST it means a powerful, efficient and quiet blower as well as user-centric features that include, but go beyond, color and size. Our high-performance hoods include technologies such as energy efficient LED lighting that covers the entire cooking surface, heat sensors that automatically adjust blower speed, and a wide array of electronic controls. Each and every piece of technology that goes into our hoods is there to make your kitchen perform for you.

Technology with a purpose.

See our tips for successful operation on page 67.

Heat Sentry™

Our exclusive Heat Sentry™ feature detects excessive heat and adjusts the blower speed to high automatically, so it protects your range hood from overheating and prolongs the life of the product.

Energy-saving Motor Design

BEST® Range Hoods with iQ Blower System™ use advanced digital motor technology for up to 22 times more energy efficiency. This innovative technology delivers normal air flow operation with as little as 8 watts of power, and saves hundreds of dollars in energy expense over its lifetime.

Efficient LED Lighting

LED lighting brings together the best of all worlds—great lighting over the cooktop, low energy consumption and long life. You might never replace a light bulb again.

Silencing Technology

Decreasing blower sound levels without sacrificing performance was a major goal for BEST. Our iQ Blower System™ incorporates three innovations to deliver up to 2 times quieter operation. In fact, normal operation is so quiet it is silent. Making your life more comfortable and enjoyable.



Perimeter Ventilation

Perimeter ventilation has two distinct benefits. One is a decorative panel which hides the mesh filters, providing a clean, sleek look that complements contemporary European kitchen design. The second is increased air flow around the perimeter of the hood, providing superior capture.

Remote Control

Many BEST Range Hoods are designed to work with a lightweight and conveniently sized remote control that enables the busy cook to stay in control from anywhere in the kitchen. The control is standard with some hoods and offered as an option on several others.

Electronic Controls

Whether pushbutton or glass-touch style, electronic controls are a pleasure to use and offer significant benefits that provide convenience and well being. The iQ system moves controls a major step forward with intelligent GPS Technology (see page 58) that, for the first time ever, calibrates the hood to the home for peak performance.

5-Year Limited Warranty

BEST is committed to ensuring satisfaction with your new range hood. To help keep things in proper working order, BEST is offering a 5-year parts, 2-year labor limited warranty. See full terms and conditions at bestrangehoods.com/warranty







10 BUILT-IN

11 CC34-63"

12 CC34-43"

13 CP3

14 CP5

15 PK22

16 P195P

17 P195ES

18 CC6

19 U102

20 CC45

21 UCB3

22 CHIMNEY

23 WPP9

24 WPB9

25 WTT32

26 WCN1

27 WCP3

28 WBF4I

29 WCB3

30 WC34

31 WC35

32 WC45

34 ISLAND

35 IPB9

36 IPP9

37 ICB3

38 IC34

39 IBF4I

40 DOWNDRAFT

41 D49M

44 DC54

46 PRO-STYLE

47 WP28

48 UP26

49 WP29

50 UP27

52 OUTDOOR

53 WPD38I

54 WPD39M

55 WTD9M

56 CPD9M

57 CPD

58 BLOWERS & ACCESSORIES

58 IQ BLOWERS

60 FLEX BLOWER SYSTEM

61 INTERNAL BLOWERS

62 IN-LINE BLOWERS

63 EXTERIOR BLOWERS

64 DUCT ACCESSORIES

65 DUCT LENGTH ESTIMATOR

66 MAKE-UP AIR DAMPERS

67 OPERATION / SPECIFICATIONS

67 TIPS FOR SUCCESSFUL OPERATION

72 SPECIFICATIONS

Built-in





Cirrus Grande powered by the exclusive iQ Blower System with GPS Technology (see page 58) for the quietest, most energy efficient and fastest smoke and odor removal available in a range hood.

Perimeter aspiration provides superior ventilation, backed up by mesh grease filters.

Four-speed electronic light-touch controls are operated with the ACR3 remote control, included.

Four 3-watt LED light strips provide bright cooktop lighting.

Stainless Steel panels for a designer look.

10-minute delay-off and filter clean reminder provide convenient operation.

Designed to work with optional Automatic Make-Up Air Dampers.

Model Numbers:

CC34IQ63SB CC34IQT63SB CC34E63SB



Panels provide perimeter aspiration and conceal washable grease filters.



Bright, energy-efficient LED lighting.



Central control button with LED indicator ring.



Included ACR3 remote control lets the busy cook stay in control from anywhere in the kitchen.

Hood Sizes

Width	63"
Depth	27-1/2"
Finish	
Stocked	Brushed Stainless Steel (Grade 430)
Special Order	Not Available

Features

Lighting Type	LED
Number of Lamps	4 Light strips (9 watts each, 380 lux each, 2800-3200K)
Lighting Levels	3
Lighting Lamps Included	Yes
Control Type	4-speed Electronic Light Touch
Control Features	Delay-off, Filter Clean Reminder
Remote Control	ACR3 Included
Filter Type	Mesh Grease Filter with Perimeter Aspiration
Non-ducted Capability	Yes

Hood Blower Included (CC34IQ63 and CC34IQT63)

Internal	iQ6 ²	iQ12
Max Blower CFM*	800	1500
Sones Normal Setting**	0.3	0.6

*MAX Blower CFM indicates the performance of the hood blower in open air.
**Normal setting corresponds to speed 1.

Hood Blower Options (CC34E blowers sold separately)

¹ External In-line:	ILB3	ILB6	ILB9	ILB11
Max CFM	300	675	900	1500
¹ External Exterior:	EB6	EB9	EB12	EB15
Max CFM	665	890	1300	1650

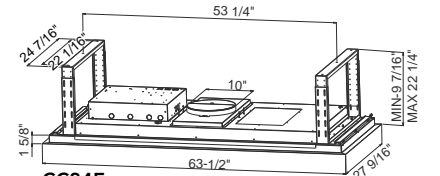
¹Sone levels using External blowers are typically half of comparable CFM Internal blowers.

Accessories

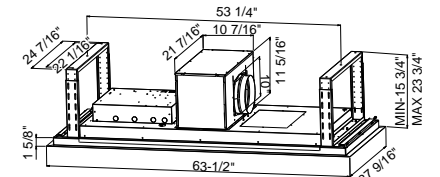
Non-ducted Kit	ANKCC3463
Charcoal Replacement Filters	AFCCCE3463
Automatic MUA Damper	MD6T, MD8T, MD10T (Requires Fresh Air Inlet)
Fresh Air Inlet	641FA, 643FA, 610FA

Installation Requirements

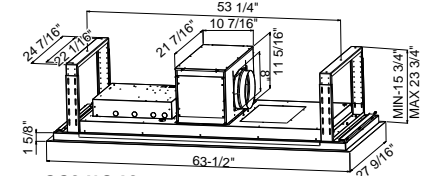
Electrical Amps @ 120V	Internal: 4.0, External: 6.5
Electrical Connection	Direct
Duct Size-Internal Blower	8" and 10" for iQ12
Duct size-External Blower	10"
Duct Direction	Horizontal Vertical (External vent only)
Backdraft Damper	Included



CC34E



CC34IQT63



CC34IQ63

Installation height above the cooking surface 48" minimum, 72" maximum recommended.

For more details or HVI rated performance for this model see the product specifications sheet found at www.BESTRangeHoods.com



²If needed, ask a recommended installer to limit discharge to 300 or 400 CFM.





Cirrus powered by the exclusive iQ Blower System with GPS Technology (see page 58) for the quietest, most energy efficient and fastest smoke and odor removal available in a range hood.

Four-speed electronic light-touch controls are operated with the ACR3 remote control, included.

10-minute delay-off and filter clean reminder provide convenient operation.

Six 3-watt LED lights provide bright cooktop lighting.

Designed to work with optional Automatic make-up air dampers.

Perimeter aspiration provides superior ventilation, backed up by mesh grease filters.

Available with Stainless Steel panels or optional White Glass Panels for a designer look.

Model Numbers:

CC34IQSB CC34E6SB



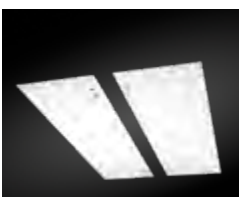
Bright, energy efficient LED lighting.



Perimeter aspiration for superior capture.



Included ACR3 remote control lets the busy cook stay in control from anywhere in the kitchen.



Optional white glass panels.

Hood Sizes

Width **43-3/8"**
Depth **27-1/2"**

Finish

Stocked Brushed Stainless Steel (Grade 430)
 Special Order Not Available

Features

Lighting Type	LED
Number of Lamps	6 lamps (3 watts each, 660 lumens total, 2800-3200K)
Lighting Levels	3
Lighting Lamps Included	Yes
Control Type	4-speed Electronic Light Touch
Control Features	Delay-off, Filter Clean Reminder
Remote Control	ACR3 Included
Filter Type	Mesh Grease Filter with Perimeter Aspiration
Non-ducted Capability	Yes

Hood Blower Included (CC34IQ)

Internal	iQ6²
Max Blower CFM*	800
Sones Normal Setting**	0.3

*MAX Blower CFM indicates the performance of the hood blower in open air.
 **Normal setting corresponds to speed 1.

Hood Blower Options (CC34E blowers sold separately)

¹External In-line:	ILB3	ILB6	ILB9	ILB11
Max CFM	300	675	900	1500
¹External Exterior:	EB6	EB9	EB12	EB15
Max CFM	665	890	1300	1650

¹Sone levels using External blowers are typically half of comparable CFM Internal blowers.

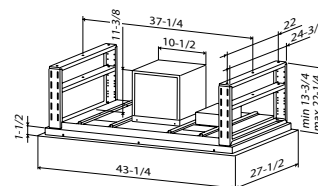
Accessories

Non-ducted Kit	ANKCC34
Charcoal Replacement Filters	AFCCC34
White Glass Panels	AGPCC34W
Automatic MUA Damper	MD6T, MD8T, MD10T (Requires Fresh Air Inlet)
Fresh Air Inlet	641FA, 643FA, 610FA

Installation Requirements

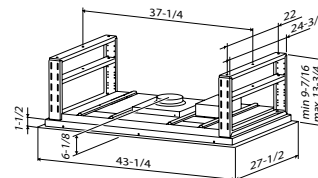
Electrical Amps @ 120V	Internal: 4.0, External: 6.5
Electrical Connection	Direct
Duct Size-Internal Blower	8"
Duct size-External Blower	8"
Duct Direction	Horizontal Vertical (External vent only)
Backdraft Damper	Included

CC34IQSB



8" Round Duct

CC34E6SB



8" Round Duct

Installation height above the cooking surface 48" minimum, 72" maximum recommended.

For more details or HVI rated performance for this model see the product specifications sheet found at www.BESTRangeHoods.com



²If needed, ask a recommended installer to limit discharge to 300 or 400 CFM.





Heat Sentry™ detects excessive heat and adjusts speed to high automatically.

Works with optional Universal Make-Up Air Dampers.

Available only in the U.S.

Separate On/Off speed control gives you the convenience of automatically remembering favorite setting.

Model Numbers:

- CP34I309SB
- CP34I429SB
- CP35I369SB
- CP37I482SB
- CP34I369SB
- CP35I309SB
- CP35I429SB



The Custom Hood Liner easy install system comes with liner, blower, filtration, controls, lighting and damper.



Rotary controls for two-level lighting and variable blower speeds enable the user to choose operating preferences.

Hood Sizes

Widths	28-3/8", 34-3/8", 40-3/8" on CP34, CP35 46-3/8" on CP37
Depths	19-1/4" on CP34, CP35 22-1/2" on CP37

Finish

Stocked	Brushed Stainless Steel (Grade 430)
Special Order	Not Available

Features

Lighting Type	Halogen, MR16; GU10-50W
Number of Lamps	2
Lighting Levels	2
Lighting Lamps Included	Yes
Control Type	Infinite Speed Rotary with Separate On/Off Control
Control Features	Heat Sentry™
Remote Control	Not Available
Filter Type	Stainless Steel Baffle Filter
Non-ducted Capability	No

Hood Blower Included (CP3)

Internal	CP34	CP35	CP37
Max Blower CFM*	290	670	1350
Sones Normal Setting**	3.0	2.0	2.0

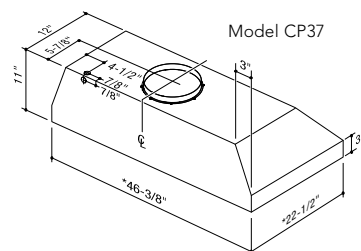
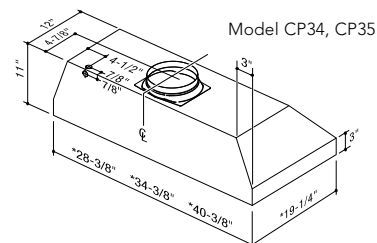
*MAX Blower CFM indicates the performance of the hood blower in open air.
**Normal setting corresponds to speed 1.

Accessories

Non-ducted Recirculating Kit	Not Available
CFM Reducer Kit	ARP8 (use with CP35 only)
Liners	Not Available
Universal MUA Damper	MD6TU, MD8TU, MD10TU
Fresh Air Inlet	641FA, 643FA, 610FA

Installation Requirements

Amps @ 120V	9.0 Max
Electrical Connection	Direct Wire
Duct Size: Internal Blower	CP34 & CP35: 8", CP37: 10"
Duct Direction	Vertical
Backdraft Damper	Included



Installation height above the cooking surface: 24"-30"

For more details or HVI rated performance for this model see the product specifications sheet found at www.BESTRangeHoods.com

Allow 1/8" clearance on all measurements





Model shown CP57E362SB

Powered by the exclusive iQ Blower System™ with GPS Technology (see page 58) for the quietest, most energy efficient and fastest smoke and odor removal available in a range hood; external blowers offered separately.

LED lighting has an extremely long lifespan; lamps may never need replacement.

Mesh lined Hi-Flow baffle filters and removable grease rail provide supreme grease capture.

Works with optional Universal Make-Up Air Dampers.

Model Numbers:

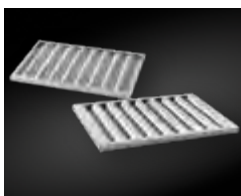
- CP55IQ369SB
- CP57IQT369SB
- CP57IQT482SB
- CP57IQT602SB
- CP57E362SB
- CP57E602SB
- CP55IQ429SB
- CP57IQT489SB
- CP57IQT542SB
- CP57IQT662SB
- CP57E482SB



Integrated electronic controls include delay-off to continue ventilation after cooking and filter clean reminder to keep the kitchen smelling fresh.



LED lighting produces beautiful bright, clean light using minimal energy.



Hi-Flow baffle filters for excellent ventilation efficiency.



Optional ACR3 remote control lets the busy cook stay in control from anywhere in the kitchen.

Hood Sizes

iQ Blower Widths

CP55IQ 19-1/4" depth: 34-3/8", 40-3/8"

CP57IQ 19-1/4" depth: 34-3/8", 46-3/8"

CP57IQ 22-1/2" depth: 46-3/8", 52-3/8", 58-3/8", 64-3/8"

External Blower Widths

CP57EX 22-1/2" depth: 34-3/8", 46-3/8", 58-3/8"

Finish

Stocked Brushed Stainless Steel (Grade 430)
Special Order Not Available

Features

Lighting Type	LED 6-watts, 3000K
Number of Lamps	2 on 36", 42" and 48" 4 on 54", 60" and 66"
Lighting Levels	1
Lighting Lamps Included	Yes
Control Type	3-speed Plus Boost Electronic Pushbutton
Control Features	Heat Sentry™, Delay Off, Filter Clean Reminder
Remote Control	Optional ACR3
Filter Type	Hi-Flow Baffle Filter
Non-ducted Capability	Yes for CP55

Hood Blower Included (CP55IQ) (CP57IQ)

Internal	iQ6 ¹	iQ12
Max Blower CFM*	800	1500
Sones Normal Setting**	0.3	0.6

*MAX Blower CFM indicates the performance of the hood blower in open air.
**Normal setting corresponds to speed 1.

Hood Blower Options (CP57E blowers sold separately)

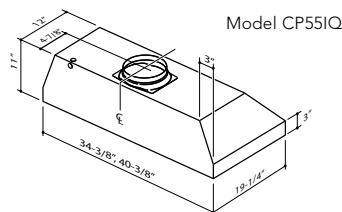
External In-line	ILB3	ILB6	ILB9	ILB11
Max CFM	300	675	900	1500
Some levels are typically half of comparable CFM internal blowers.				
External Exterior	EB6	EB9	EB12	EB15
Max CFM	665	890	1300	1650
Some levels are typically half of comparable CFM internal blowers.				

Accessories

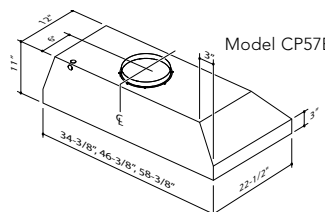
Non-Duct Kit	ANKCP55, for CP55 only
Non-Duct Filter	AFCROUND2 for CP55
CFM Reducer Kit	ARP8 (use with CP55IQ only)
Universal MUA Damper	MD6TU, MD8TU, MD10TU (Requires Fresh Air Inlet)
Fresh Air Inlet	641FA, 643FA, 610FA

Installation Requirements

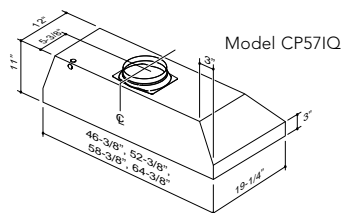
Amps @ 120V: Internal Blower	CP55IQ: 4.7, CP57IQT: 8.3
Amps @ 120V: External Blower	CP57E: 7.0
Electrical Connection	Direct Wire
Duct Size: Internal Blower	iQ6: 8", iQ12: 10"
Duct Size: External Blower	10"
Duct Direction	Vertical
Backdraft Damper	Included



Model CP55IQ



Model CP57E



Model CP57IQ

Only the 46-3/8" width is available in both depths

Installation height above the cooking surface: 24"-30"

For more details or HVI rated performance for this model see the product specifications sheet found at www.BESTRangeHoods.com



¹If needed, ask a recommended installer to limit discharge to 300 or 400 CFM.





Powered by the exclusive *iQ* Blower System™ with GPS Technology (see page 58) for the quietest, most energy efficient and fastest smoke and odor removal available in a range hood; external blowers offered separately.

Mesh lined Hi-Flow baffle filters provide superior grease capture to ensure a clean, fresh kitchen.

Works with optional Universal Make-Up Air Dampers.

Heat Sentry™ detects excessive heat and adjusts blower speed to high automatically.

Model Numbers:

PK2230 PK2239 PK2245 PKEX2239 PKEX2245



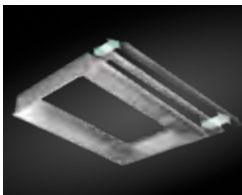
Integrated electronic controls include delay-off to continue ventilation after cooking and filter clean reminder to keep the kitchen smelling fresh.



Halogen lights provide brilliant 3-level cooktop lighting.



Use the calibration button to activate GPS Technology (see page 58).



Protect cabinetry from steam and grease with stainless steel liners that provide a custom fit.



Optional ACR3 remote control lets the busy cook stay in control from anywhere in the kitchen.

Hood Sizes

Widths 27-3/4", 36-1/2"¹, 43-7/16"¹
Depth 15-13/16"

Finish

Stocked Brushed Stainless Steel (Grade 430)
 Special Order Not Available

Features

Lighting Type	Halogen 50W, GU10
Number of Lamps	2 on 27" and 36" 3 on 43"
Lighting Levels	3
Lighting Lamps Included	Yes
Control Type	3-speed Plus Boost Electronic Pushbutton
Control Features	Heat Sentry™, Delay Off, Filter Clean Reminder
Remote Control	Optional ACR3
Filter Type	Hi-Flow Baffle Filter
Non-ducted Capability	No

Hood Blower Included (PK22)

Internal	<i>iQ</i> 12
Max Blower CFM*	1500
Sones Normal Setting**	0.6
PK2230	0.6/11.5
PK2239	0.6/11.5
PK2245	0.6/11.0

*MAX Blower CFM indicates the performance of the hood blower in open air.
 **Normal setting corresponds to speed 1.

Hood Blower Options (PKEX22 blowers sold separately)

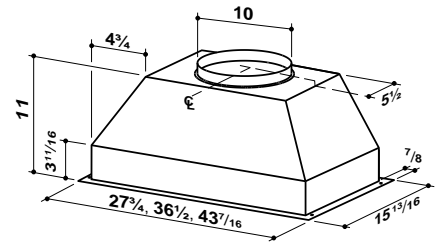
External In-line	ILB3	ILB6	ILB9	ILB11
Max CFM	300	675	900	1500
Some levels are typically half of comparable CFM internal blowers.				
External Exterior (sold separately)	EB6	EB9	EB12	EB15
Max CFM	665	890	1300	1650
Some levels are typically half of comparable CFM internal blowers.				

Accessories

Liners: Optional	AL3036, AL3042, AL3948, AL3954, AL4554, AL4560
Optional Transition	10" to 8" Reducer Model 472
Universal MUA Damper	MD6TU, MD8TU or MD10TU
Fresh Air Inlets	641FA (6"), 643FA (8"), 610FA (10")

Installation Requirements

Amps @ 120V	8.0 for PK2230, PK2239; 8.5 for PK2245
Electrical Connection	Direct Wire
Duct Size	10"
Duct Direction	Vertical
Backdraft Damper	Included



¹External blower models available.

27-3/4" width not available in PKEX models

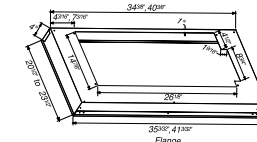
Installation height above the cooking surface: 24"-30"

For more details or HVI rated performance for this model see the product specifications sheet found at www.BESTRangeHoods.com

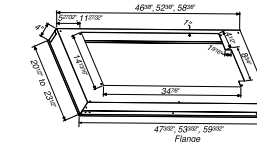
Liners for PK22

- Brushed Standard Stainless Steel finish
- 36", 42", 48", 54" and 60" widths
- Flexible design allows 20-1/2" to 23-1/2" depth adjustment

AL3036, AL3042 for PK2230 Pack



AL3948, AL3954, AL4554, AL4560 for PK2239, PKEX2239, PK2245, PKEX2245 Packs





P195P

B U I L T - I N

Heat Sentry™ detects excessive heat and adjusts speed to high automatically.

Recirculation kit available for the P195P1 for non-ducted operation.

Works with optional Automatic Make-Up Air Dampers.

10-minute delay-off feature turns the hood off automatically.

Smooth stainless steel panel conceals mesh grease filters and enables increased flow around the perimeter for superior capture.

30-hour filter clean indicator.

Shown with custom fabricated side panels, not supplied by BEST.

Model Numbers:

P195P1M52SB6

P195P1M70SB6

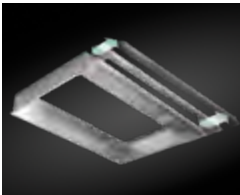
P195P2M70SB



Powerful perimeter aspiration effectively removes heat, moisture and cooking aromas.



Variable 4-speed Electronic push-button control enables the user to choose operating preference.



Protect cabinetry from steam and grease with stainless steel liners that provide a custom fit.



Optional ACR3 remote control lets the busy cook stay in control from anywhere in the kitchen.

Hood Sizes

Widths 21-3/16", 28-5/16"

Depth 11-1/8"

Finish

Stocked Brushed Stainless Steel (Grade 430)
Special Order Not Available

Features

Lighting Type	Halogen 20W, G-4
Number of Lamps	2
Lighting Levels	2
Lighting Lamps Included	Yes
Control Type	4-speed Electronic Pushbutton, Digital Display
Control Features	Heat Sentry™, Delay Off, Filter Clean Reminder
Remote Control	Optional ACR3
Filter Type	Mesh Grease Filters with Perimeter Aspiration
Non-ducted Capability	Yes (P195P1 only)

Hood blower included P1951M: P6 & P1952M P12

Internal	P6	P12
Max Blower CFM*	650	1300
Sones Normal Setting**	1.0	2.0

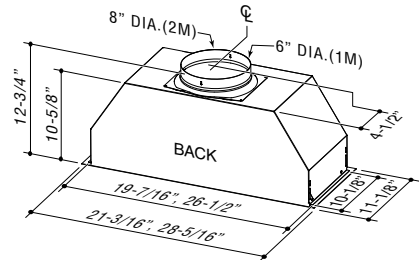
*MAX Blower CFM indicates the performance of the hood blower in open air.
**Normal setting corresponds to speed 1.

Accessories

Non-Duct Filters	AFCP195P52, AFCP195P70
Liners: Optional	L5230, L7036, L7048
CFM Reducer Kit	ARP6 (use with P195P1M only)
Make-Up Air Dampers	MD6T, MD8T, MD10T
Fresh Air Inlets	641FA (6"), 643FA (8"), 610FA (10")

Installation Requirements

Amps @ 120V	5.4 Max
Electrical Connection	Direct Wire
Duct Size: Internal Blower	6" for P195P1M models 8" for P195P2M model
Duct Size: External Blower	Not Available
Duct Direction	Vertical
Backdraft Damper	Included



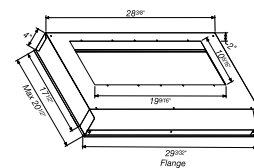
Installation height above the cooking surface: 24"-30"

For more details or HVI rated performance for this model see the product specifications sheet found at www.BESTRangeHoods.com

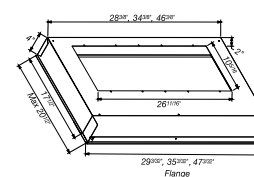
Liners for P195P

- Brushed Standard Stainless Steel finish
- 30", 36" and 48" widths
- Flexible design allows 17-1/2" to 20-1/2" depth adjustment
- Optional ambient light panel

L5230 for P1951M52SB



L7036, L7048 for P1951M70SB and P1952M70SB





Shown with a custom-fabricated liner purchased locally

ENERGY STAR® rated hood for ducted applications provides optimum energy savings.

Heat Sentry™ detects excessive heat and adjusts speed to high automatically.

Charcoal filter option available for recirculation applications (Please note: Recirculation installations will not meet ENERGY STAR® requirements).

Works with optional Universal Make-Up Air Dampers. (The P195ES does not require make-up air per IRC M1503.4 requirements.)

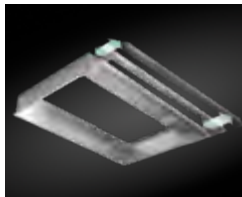
Model Numbers:
P195ES70SB



Two fluorescent lights provide bright cooktop lighting.



Variable 3-speed slider switch control enables the user to choose operating preference.



Protect cabinetry from steam and grease with stainless steel liners that provide a custom fit.

Hood Sizes

Widths	27-1/2"
Depth	11-1/4"
Finish	
Stocked	Brushed Stainless Steel (Grade 430)
Special Order	Not Available

Features

Lighting Type	Fluorescent Bulbs 13W, G24Q-1
Number of Lamps	2
Lighting Levels	1
Lighting Lamps Included	Yes
Control Type	3-speed Slider Switch
Control Features	Heat Sentry™
Remote Control	Not Available
Filter Type	Mesh Grease Filter
Non-ducted Capability	Yes

Hood Blower Included (P195ES ENERGY STAR® Rated)

Internal	
Max Blower CFM*	370
Sones Normal Setting**	0.3

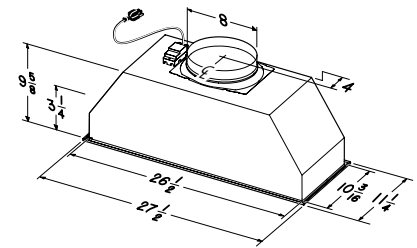
*MAX Blower CFM indicates the performance of the hood blower in open air.
**Normal setting corresponds to speed 1.

Accessories

Recirculation Filter	ROUNDFILTER
Liners: Optional	L7030 / L7036 / L7048
Universal MUA Dampers	MD6TU for 6" duct MD8TU for 8" duct
Fresh Air Inlets	641FA (6"), 643FA (8"), 610FA (10")

Installation Requirements

Amps @ 120V	2.8
Electrical Connection	Plug In
Duct Size: Internal Blower	8" (P195E70)
Duct Size: External Blower	Not Available
Duct Direction	Vertical
Backdraft Damper	Included



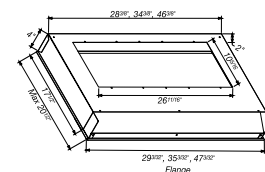
Installation height above the cooking surface: 24"-30"

For more details or HVI rated performance for this model see the product specifications sheet found at www.BESTRangeHoods.com

Liners for P195ES

- Brushed Standard Stainless Steel finish
- 30", 36" and 48" widths
- Flexible design allows 17-1/2" to 20-1/2" depth adjustment
- Optional ambient light panel

L7030, L7036, L7048 for P195ES70SB





Power packs for custom application—cabinet mount.

Electronic push button controls with LED.

Four ventilation speeds.

Two-intensity exclusive PURLED™ lighting: two 5.5 watt LED modules (included).

5-minute delay function.

Dishwasher-safe low-profile baffle filters.

Filter maintenance indicator.

Heat Sentry™ detects excessive heat and adjusts speed to high automatically.

Model Numbers:

CC65I28SB

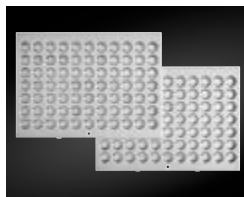
CC67I28SB



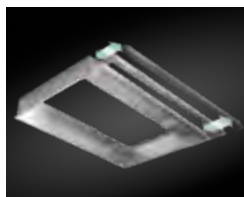
PURLED™ light system boosts light output, distributes light better and improves energy-efficiency.



Backlit electronic push button controls.



Easy-to-install low-profile baffle filters.



Protect cabinetry from steam and grease with stainless steel liners that provide a custom fit.

Hood Sizes

Widths 28-1/8"

Depth 14-3/4"

Finish

Stocked Brushed Stainless Steel (Grade 430)

Special Order Not Available

Features

Lighting Type PURLED™ 5.5 watt, 1100 Lumens, 3000K

Number of Lamps 2

Lighting Levels 2

Lighting Lamps Included Yes

Control Type 4-speed Electronic Push Button

Control Features Heat Sentry™, Delay-off

Remote Control Not Available

Filter Type Mini Baffle

Non-ducted Capability No

Hood Blower Included

Internal	CC65	CC67
Max Blower CFM*	650	1300
Sones Normal Setting**	1.1	1.5

*MAX Blower CFM indicates the performance of the hood blower in open air.

**Normal setting corresponds to speed 1.

Accessories

Custom Liners 30"–ALCC630SB, 36"–ALCC636SB, 42"–ALCC642SB

CFM Reducer Kit ARP310 (for use with CC65)

Installation Requirements

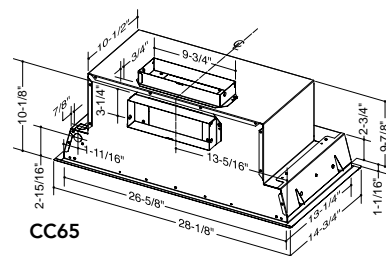
Amps @ 120V 6.0/9.5

Electrical Connection Direct Wire

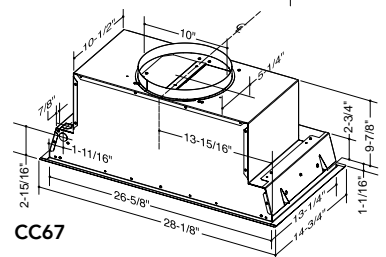
Duct Size: Internal Blower 3-1/4" x 10" V or H

10" round / Vertical only

Backdraft Damper Included



CC65



CC67

Installation height above the cooking surface: 24"–30"

For more details or HVI rated performance for this model see the product specifications sheet found at www.BESTRangeHoods.com

Liners for CC6

- Brushed Standard Stainless Steel finish
- 28-1/2", 34-1/2" and 40-1/2" widths
- Adjustable depths with backboard 16" to 17-13/16"
- Adjustable depths without backboard 16-3/8" to 18"





Manually extend the glass visor to activate the fan and lighting.
Quick release, dishwasher-safe, stainless steel with mesh grease filters ensure a clean, fresh kitchen.

Heat Sentry™ detects excessive heat and adjusts speed to high automatically.
10-minute time-delay shut-off feature and reminder light for filter maintenance.
Charcoal filter kits are available when recirculating air into the

kitchen is desired (duct work required).
CFM Reducer Kit for internal blower reduces max CFM to 250–300.
Works with optional Universal Make-Up Air Dampers.

Model Numbers:

U10230SBI U10236SBI



The U102 features electronic 4-speed pushbutton controls with an easy-to-read blue digital display.

Hood Sizes

Widths	30", 36"
Depth	12-3/4"–18-1/2"
Finish	
Stocked	Brushed Stainless Steel (Grade 304)
Special Order	Not Available

Features

Lighting Type	Halogen, G4-20W
Number of Lamps	2
Lighting Levels	2
Lighting Lamps Included	Yes
Control Type	4-speed Pushbutton
Control Features	Heat Sentry™, Delay Off, Filter Timer
Remote Control	Not Available
Filter Type	Stainless Steel with Mesh Grease Filter
Non-ducted Capability	Yes

Hood Blower Included (U102I)

Internal	
Max Blower CFM*	575
Sones Normal Setting**	2.0

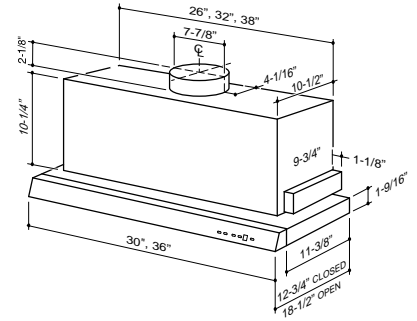
*MAX Blower CFM indicates the performance of the hood blower in open air.
**Normal setting corresponds to speed 1.

Accessories

Non-ducted Recirculating Kit	ANKU10
CFM Reducer Kit	ARP8
Universal MUA Damper	MD6TU, MD8TU, MD10TU (Requires Fresh Air Inlet)
Fresh Air Inlet	641FA, 643FA, 610FA

Installation Requirements

Amps @ 120V	3
Electrical Connection	Direct Wire
Duct Size: Internal Blower	8"
Duct Direction	Vertical
Backdraft Damper	Included



Installation height above the cooking surface: 22-1/2"–30"

Not recommended for use with gas or electric grills

For more details or HVI rated performance for this model see the product specifications sheet found at www.BESTRangeHoods.com





Mounts inside the cabinet for the ultimate in hidden kitchen ventilation.

Infrared touch-free control senses the finger; 10-minute delay-off and filter clean reminder ensure a clean, fresh kitchen.

LED module provides bright, even lighting over cooktop.

Quick release, stainless-steel with mesh grease filters are dishwasher safe.

Heat Sentry™ detects excessive heat and adjusts blower to high automatically.

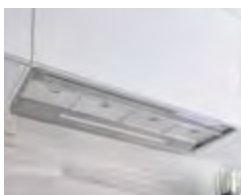
Compatible with optional Universal make-up air dampers.

Recirculation kit available when ducting outside is not possible.

Model Numbers:

CC45I90SB

CC45E90SB



Hood mounts inside custom cabinetry; only the control panel shows.



Four-speed, IR touch-free control.



LED module has three light levels.



Dishwasher safe stainless steel with mesh grease filters.



Optional ACR3 remote control lets the busy cook stay in control from anywhere in the kitchen.

Hood Sizes

Widths 34"
Depth 13"

Finish

Stocked Brushed Stainless Steel (Grade 430)
 Special Order Not Available

Features

Lighting Type LED, 950 Lumens, 3000–3500K
 Number of Lamps 1, LED strip
 Lighting Levels 3
 Lighting Lamps Included Yes
 Control Type 4-speed IR Touch
 Control Features Heat Sentry™, 10-minute Delay-off, Filter Reminder
 Remote Control Optional ACR3
 Filter Type Stainless Steel with Mesh Grease Filter
 Non-ducted Capability Yes

Hood Blower Included (CC45I)

Internal	
Max Blower CFM*	650
Sones Normal Setting**	0.8

*MAX Blower CFM indicates the performance of the hood blower in open air.
 **Normal setting corresponds to speed 1.

Hood Blower Options (for CC45E—sold separately)

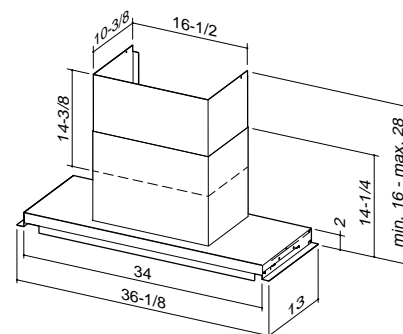
External In-line	ILB3	ILB6	ILB9	ILB11
Max CFM	300	675	890	1500
Some levels are typically half of comparable CFM internal blowers.				
External Exterior	EB6	EB9	EB12	EB15
Blower CFM	665	890	1300	1650
Some levels are typically half of comparable CFM internal blowers.				

Accessories

Flue Extension AECC45SB
 Non-ducted Kit ANKCC45 (Internal only)
 Non-ducted Filter AFCC45
 Universal MUA Damper MD6TU, MD8TU, MD10TU
 Fresh Air Inlet 641FA, 643FA, 610FA

Installation Requirements

Amps @ 120V: Internal Blower 3.2
 Amps @ 120V: External Blower 0.2
 Electrical Connection Direct Wire
 Duct Size: Internal Blower 8"
 Duct Size: External Blower 8"
 Duct Direction Vertical
 Backdraft Damper Included



Installation height above the cooking surface: 24"–30"

For more details or HVI rated performance for this model see the product specifications sheet found at www.BESTRangeHoods.com





The Ispira Series offers bold modern design featuring eight striking colors of interchangeable glass panels.

Heat Sentry™ mode that automatically adjusts ventilation to avoid overheating.

Delay-off function for each speed (automatic shut-off after 5 minutes).

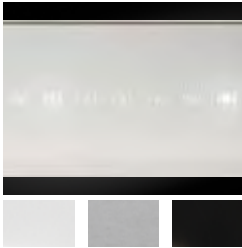
Blue or white LED backlighting.

Four blower speeds for all your cooking needs.

Choice of standard white, grey and black glass colors or interchangeable optional color panels to help you personalize your kitchen décor.

Model Numbers:

30"–UCB3130SBB	UCB3130SBS	UCB3130SBW	UCB3130SBN
36"–UCB3136SBB	UCB3136SBS	UCB3136SBW	UCB3136SBN
Black	Grey	White	No Glass



Four-speed soft touch controls sit behind white, grey, black or optional glass panels to match appliance finishes or complement your kitchen décor.



PURLED™ light system boosts light output, distributes light better and improves energy efficiency.



Hybrid baffle filters provide ultra-efficient grease removal with superior air flow.

Glass panels sold separately



Emerald, Lime, Orange, Purple, Red

Hood Sizes

Widths	30", 36"
Depths	20-1/8"

Finish

Stocked	Brushed Stainless Steel (Grade 430) with white, black or grey glass
Special Order	Not Available

Features

Lighting Type	PURLED™, 5.5 watts each, 1100 Lumens, 3000K
Number of Lamps	2
Lighting Levels	3
Lighting Lamps Included	Yes
Control Type	4-speed Soft Touch
Control Features	Heat Sentry™, Delay-off
Remote Control	Not Available
Filter Type	Hybrid Baffle
Non-ducted Capability	No

Hood Blower Included

Internal	
Max Blower CFM*	550
Sones Normal Setting**	1.0

*MAX Blower CFM indicates the performance of the hood blower in open air.

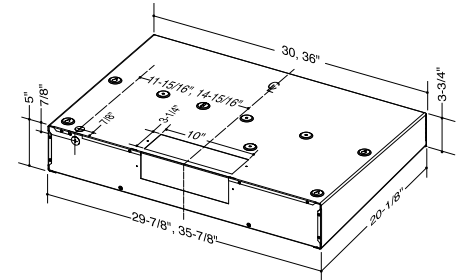
**Normal setting corresponds to speed 1.

Installation Requirements

Amps @ 120V	1.8
Electrical Connection	Plug In
Duct Size: Internal Blower	3-1/4" x 10"
Duct Direction	V or H
Backdraft Damper	Included

Accessories

Glass Panels	White, Grey, Black, Emerald, Lime, Orange, Purple, Red
--------------	--------------------------------------------------------



Installation height above the cooking surface: 24"–30"

For more details or HVI rated performance for this model see the product specifications sheet found at www.BESTRangeHoods.com



If needed, ask a recommended installer to limit discharge to 300 CFM.



Chimney





Powered by the exclusive iQ Blower System™ with GPS Technology (see page 58) for the quietest, most energy efficient and fastest smoke and odor removal available in a range hood; external blowers offered separately.

Bright Halogen lighting floods the cooktop and surrounding area for clear visibility.

Mesh lined Hi-Flow baffle filters provide superior grease capture to ensure a clean, fresh kitchen.

Heat Sentry™ detects excessive heat and adjusts blower to high automatically.

Works with optional Universal Make-Up Air Dampers.

Model Numbers:

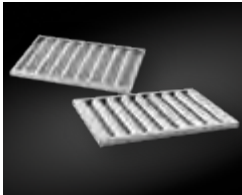
WPP9IQ36SB	WPP9IQT36SB	WPP9IQT48SB	WPP9E36SB	WPP9E48SB
WPP9IQ42SB	WPP9IQT42SB	WPP9IQT54SB	WPP9E42SB	WPP9E54SB



Three-speed, plus boost, electronic controls include 10-minute delay-off and filter clean reminder.



Halogen lamps brilliantly illuminate the cooktop. Three lamps on 36" and 42"; four lamps on 48" and 54" (use image G9T4 Halogen).



Hi-Flow baffle filters utilize a V-mesh & baffle design to increase airflow, decrease sound levels and provide excellent ventilation efficiency.



Optional ACR3 remote control lets the busy cook stay in control from anywhere in the kitchen.

Hood Sizes

Internal iQ6 Blower Widths	36", 42"
Internal iQ12 Blower Widths	36", 42", 48", 54"
External Blower Widths:	36", 42", 48", 54"
Depth	24"

Finish

Stocked	Brushed Stainless Steel (Grade 430)
Special Order	Not Available

Features

Lighting Type	Halogen, T4, G9, 25 watt
Number of Lamps	3 on 36", 42" 4 on 48", 54"
Lighting Levels	2
Lighting Lamps Included	Yes
Control Type	3-speed Plus Boost Electronic Pushbutton with Display
Control Features	Heat Sentry™, Delay Off, Filter Clean Reminder
Remote Control	Optional ACR3
Filter Type	Hi-Flow Baffle Filter
Non-ducted Capability	Yes for iQ6 models only

Hood Blower Included (WPP9IQ)

Internal	iQ6 ¹	iQ12
Max Blower CFM*	800	1500
Sones Normal Setting**	0.3	0.6

*MAX Blower CFM indicates the performance of the hood blower in open air.
 **Normal setting corresponds to speed 1.

Hood Blower Options (WPP9E blowers sold separately)

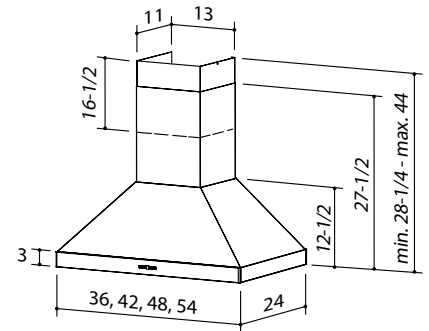
External In-line	ILB3	ILB6	ILB9	ILB11
Max CFM	300	675	900	1500
Sone levels are typically half of comparable CFM internal blowers.				
External Exterior	EB6	EB9	EB12	EB15
Max CFM	665	890	1300	1650
Sone levels are typically half of comparable CFM internal blowers.				

Accessories

10'-11' Flue Extension (Non-ducted)	AEWPP9SBN
Non-Duct Kit for iQ6	ANKWPP9
Non-Duct Filter	AFCROUND2
Universal MUA Damper	MD6TU, MD8TU, MD10TU (Requires Fresh Air Inlet)
Fresh Air Inlet	641FA, 643FA, 610FA

Installation Requirements

Amps @ 120V: Internal Blower	4.5 (Single)
Amps @ 120V: Internal Blower	8.5 (Dual)
Amps @ 120V: External Blower	7.0 Max
Electrical Connection	Direct Wire
Duct Size: Internal Blower	8" on iQ6 10" on iQ12
Duct Size: External Blower	10" (at hood)
Duct Direction	Vertical
Backdraft Damper	Included



Installation height above the cooking surface: 24"-36"

Telescopic flue for 8'-9" ceiling is standard. Optional flue extensions for 10'-11" ceiling

Upper flue can be reversed to hide louvers in some applications depending on installation heights

For more details or HVI rated performance for this model see the product specifications sheet found at www.BESTRangeHoods.com



If needed, ask a recommended installer to limit discharge to 300 or 400 CFM.





Powered by the exclusive iQ Blower System™ with GPS Technology (see page 58) for the quietest, most energy efficient and fastest smoke and odor removal available in a range hood.

Bright Halogen lighting floods the cooktop and surrounding area for clear visibility.

Mesh lined Hi-Flow baffle filters provide superior grease capture to ensure a clean, fresh kitchen.

Heat Sentry™ detects excessive heat and adjusts blower to high automatically.

Works with optional Universal Make-Up Air Dampers.

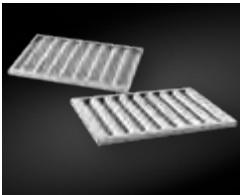
Model Numbers:
WPB9IQT48SB



Three-speed, plus boost, electronic controls include 10-minute delay-off and filter clean reminder.



Four Halogen lamps brilliantly illuminate the cooktop.



Hi-Flow baffle filters utilize a V-mesh & baffle design to increase airflow, decrease sound levels and provide excellent ventilation efficiency.



Optional ACR3 remote control lets the busy cook stay in control from anywhere in the kitchen.

Hood Sizes

Width	48"
Depth	24"
Finish	
Stocked	Brushed Stainless Steel (Grade 430)
Special Order	Not Available

Features

Lighting Type	Halogen, T4, G9, 25-watt
Number of Lamps	4
Lighting Levels	2
Lighting Lamps Included	Yes
Control Type	3-speed Plus Boost Electronic Pushbutton with Display
Control Features	Heat Sentry™, Delay Off, Filter Clean Reminder
Remote Control	Optional ACR3
Filter Type	Hi-Flow Baffle Filter
Non-ducted Capability	No

Hood Blower Included (WPB9IQ)

Internal	iQ12
Max Blower CFM*	1500
Sones Normal Setting**	0.6

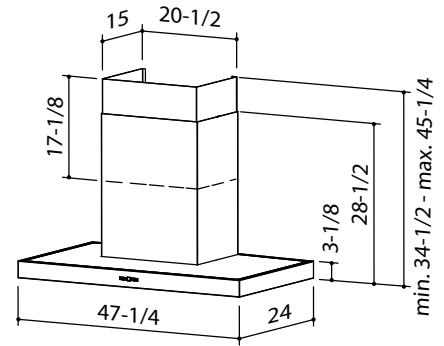
*MAX Blower CFM indicates the performance of the hood blower in open air.
**Normal setting corresponds to speed 1.

Accessories

10'-11' Flue Extension (ducted and non-ducted)	AEWPB9SBN
Universal MUA Damper	MD6TU, MD8TU, MD10TU (Requires Fresh Air Inlet)
Fresh Air Inlet	641FA, 643FA, 610FA

Installation Requirements

Amps @ 120V: Internal Blower	8.4
Amps @ 120V: External Blower	7.0 Max
Electrical Connection	Direct Wire
Duct Size: Internal Blower	10"
Duct Size: External Blower	10" (at hood)
Duct Direction	Vertical
Backdraft Damper	Included



Installation height above the cooking surface: 24"-36"

Telescopic flue for 8'-9' ceiling is standard. Optional flue extensions for 10'-11' ceiling

Upper flue can be reversed to hide louvers in some applications depending on installation heights

For more details or HVI rated performance for this model see the product specifications sheet found at www.BESTRangeHoods.com





Heat Sentry™ detects excessive heat and adjusts speed to high automatically.

Bright halogen lighting floods the cooktop and surrounding area for clear visibility.

Control features 5-minute delay-off and reminder light for filter cleaning.

Works with optional Automatic Make-Up Air Dampers.

Model Numbers:

WTT32I330SB	WTT32I336SB	WTT32I342SB	
WTT32I30SB	WTT32I36SB	WTT32I42SB	WTT32I48SB



Four-speed electronic pushbutton control provides full range of operation.



Quick-release stainless steel with mesh grease filter is dishwasher safe.

Hood Sizes

Internal P3 and P6 Blower Widths	30", 36", 42"
Internal P12 Blower Widths	48"
Depth	22"

Finish

Stocked	Brushed Stainless Steel (Grade 430)
Special Order	Not Available

Features

Lighting Type	Halogen 50W, GU10
Number of Lamps	2 on 30", 36" 3 on 42", 48"
Lighting Levels	3
Lighting Lamps Included	Yes
Control Type	4-speed Electronic Pushbutton
Control Features	Heat Sentry™, Delay Off, Filter Clean Reminder
Remote Control	Not Available
Filter Type	Stainless Steel with Mesh Grease Filter
Non-ducted Capability	Yes for 30", 36" and 42"

Hood Blower Included (WTT32I-P6, WTT32I3-P3)

Internal			
Max Blower CFM*	400	675	1275
Sones Normal Setting**	0.8	1.2	2.0

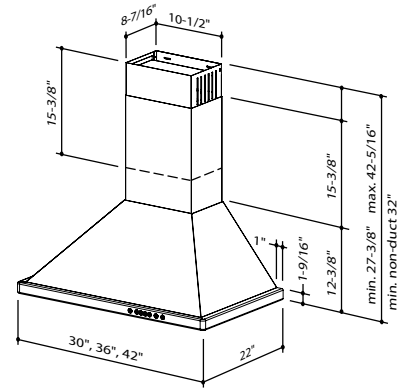
*MAX Blower CFM indicates the performance of the hood blower in open air.
 **Normal setting corresponds to speed 1.

Accessories

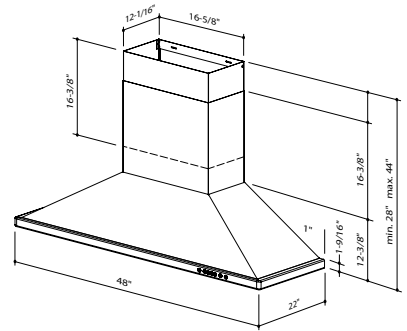
10' Flue Extension	AEWTT32SB for 30", 36", 42" AEWTT328SB for 48"
Non-Duct Recirculating Kit	ANKWTT320 for 30"; ANKWTT326 for 36" & 42"
Non-Duct Filter	AFCWTT32 for 30" AFCWTT326 for 36"
Automatic MUA Damper	MD6T, MD8T, MD10T (Requires Fresh Air Inlet)
Fresh Air Inlet	641FA, 643FA, 610FA

Installation Requirements

Amps @ 120V	4.5 (30", 36"), 5.0 (42"), 7.5 (48")
Electrical Connection	Plug In
Duct Size	Internal 600 CFM Blower: 8" Internal 1200 CFM Blower: 10"
Duct Direction	Vertical
Backdraft Damper	Included



Reversible telescopic flue allows non-ducted recirculation (see page 69).



Installation height above the cooking surface: 24"-30"

Telescopic flue for 8'-9" ceiling is standard. Optional flue extensions for 10' ceiling

For more details or HVI rated performance for this model see the product specifications sheet found at www.BESTRangeHoods.com





Sleek curved design to perfectly match your modern decor.

4-speed high performance blower features a MAX blower CFM of 685.

Integrated LED modules provide even lighting over the cooktop with 3 intensities.

Quick release, dishwasher-safe mesh grease filters ensure clean, fresh kitchen. Upgrade to optional high-performance baffle filters.

Optional flue extension available for 10' to 11' ceilings.

Works with optional Universal Make-Up Air Dampers.

Telescopic chimney for 8' to 9' ceiling features vents to allow non-ducted operation. Reversible design allows openings to be hidden in most ducted applications.

Model Numbers:

WCN1306SS

WCN1366SS



Tap-touch control features easy-to-clean surface.



LED modules evenly illuminate cooktop with three intensities.



Quick release mesh filters ensure a clean, fresh kitchen.



Upgrade to optional high-performance baffle filters.

Hood Sizes

Width 30", 36"

Depth 19-11/16"

Finish

Stocked Brushed Stainless Steel (Grade 430)
Special Order NA

Features

Lighting Type LED Modules (6-watts per module, color temp 3000K) 500 LUX

Number of Modules 2

Lighting Levels 3

Lighting Modules Included Yes

Control Type 4-speed Capacitive Control

Control Features Delay-off

Remote Control No

Filter Type Mesh with Decorative Stainless Steel Plate

Non-ducted Capability Yes

Hood Blower Included

Internal	
Max Blower CFM*	685
Sones Normal Setting**	0.9

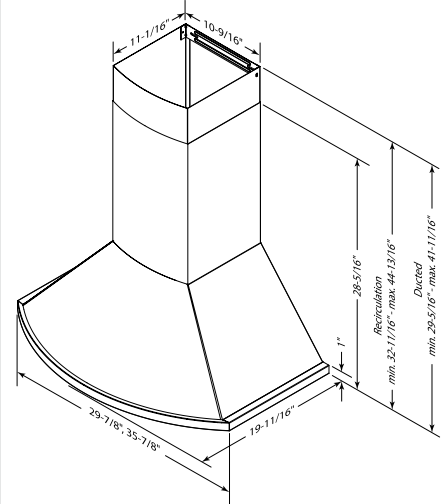
*MAX Blower CFM indicates the performance of the hood blower in open air.
**Normal setting corresponds to speed 1.

Accessories

10'-11' Flue extension (ducted—non-ducted)	AEWCN1SS
Recirculation Kit	ANKWCN1
Baffles Filters (set of 2)	AFBWCN1
Universal MUA Damper	MD6TU, MD8TU, MD10TU (Requires Fresh Air Inlet)
Fresh Air Inlet	641FA, 643FA, 610FA

Installation Requirements

Amps @ 120V: Internal Blower	3.9
Electrical Connection	Plug In
Duct Size: Internal Blower	8" Round
Duct Direction	Vertical
Backdraft Damper	Included



Install hood so that the bottom of the unit is 24" to 30" above the cooking surface.

Telescopic flue accommodates ceiling heights from 8' to 9'. Flue extension for higher ceilings is also available.

Upper flue can be reversed to hide louvers in some applications depending on installation heights.

For more details or HVI rated performance for this model see the product specifications sheet found at www.BESTRangeHoods.com



If needed, ask a recommended installer to limit discharge to 300 or 400 CFM.





3-speed high performance blower featuring 550 CFM, HVI certified¹, offering 1.5 sones level at minimum speed.

Two ultra efficient hybrid baffle filters, easy to clean, for optimal grease removal.

Telescopic chimney for 8' to 9' ceiling.

Two built-in LED modules provide an even lighting over the cooktop.

Optional flue extension available for 10' ceiling.

Model Numbers:

WCP3I30SB

WCP3I36SB



Tap-touch control features easy-to-clean surface.



Two-level LED modules evenly illuminate cooktop.



Hybrid baffle filters provide ultra-efficient grease removal with superior air flow.

Hood Sizes

Width 30", 36"
Depth 20"

Finish

Stocked Brushed Stainless Steel (Grade 430)
 Special Order NA

Features

Lighting Type LED Modules (450 Lumens each, 4.5 watts per module, color temp 3000K)
Number of Modules 2
Lighting Levels 2
Lighting Modules Included Yes
Control Type 3-speed Tap Touch
Control Features Heat Sentry™, Filter Clean Reminder
Remote Control NA
Filter Type Hybrid Baffle Filter
Non-ducted Capability Yes

Hood Blower Included

Internal	
Max Blower CFM*	650
Sones Normal Setting**	1.5

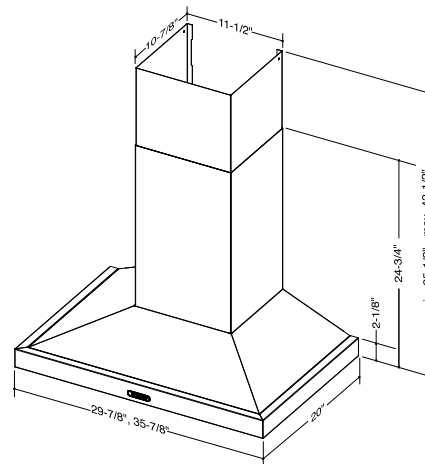
*MAX Blower CFM indicates the performance of the hood blower in open air.
 **Normal setting corresponds to speed 1.

Accessories

10' Flue Extension (Ducted) AEWCP3SB
 Recirculation Kit HRKBSS
 Non-Duct Filter FILTER ECB
 CFM Reducer Kit ARP6, ARP310

Installation Requirements

Amps @ 120V: Internal Blower 3.9
 Electrical Connection Plug In
 Duct Size: Internal Blower 6" Round, 3-1/4" x 10"
 Duct Direction Vertical / Horizontal
 Backdraft Damper Included



Install hood so that the bottom of the unit is 24" to 30" above the cooking surface. Mounting height may be affected by ceiling height.

Ducted telescopic flue accommodates ceiling heights from 8' to 9'. Flue extension for higher ceilings is also available.

¹299 CFM max with ARP6 or ARP10 reducer plate option

For more details or HVI rated performance for this model see the product specifications sheet found at www.BESTRangeHoods.com



WBF4I



Powerful and quiet internal blower.
 Up to 60 minute time-delay shut-off feature.
 Quick release aluminum mesh, dishwasher-safe filters.

Telescopic flue for 7'8" to 9' ceilings is standard.
 Recirculating flues have vent openings to allow non-ducted operation. Reversible design allows openings to be hidden in most ducted applications.

Designed to work with optional universal make-up air damper (MD6TU or MD8TU).
 Available in US only.

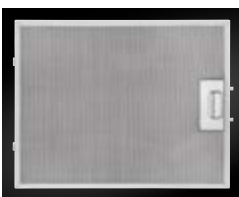
Model Numbers:
 WBF4I30SB WBF4I36SB



3-speed control with LCD display.



Two halogen lights to brightly illuminate the cooktop.



Quick release aluminum mesh, dishwasher-safe filters.

Hood Sizes

Widths	30", 36"
Depth	19-3/4"
Finish	
Stocked	Brushed Stainless Steel (Grade 430)
Special Order	Not Available

Features

Lighting Type	Halogen, Type JC, 12V, 20W Maximum
Number of Lamps	2
Lighting Levels	1
Lighting Lamps Included	Yes
Control Type	3-Speed, Electronic Push-button with Lighted LCD Screen
Control Features	Delay Off
Remote Control	Not Available
Filter Type	Aluminum Mesh Filter, Dishwasher safe, Quick release
Non-ducted Capability	Yes

Hood Blower Included

Internal	
Max Blower CFM*	400
Sones Normal Setting**	2.5

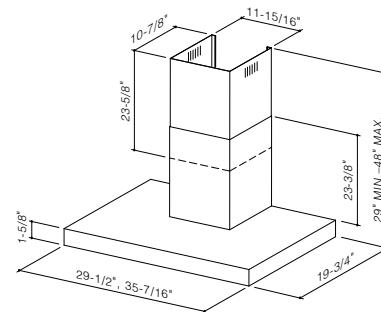
*MAX Blower CFM indicates the performance of the hood blower in open air.
 **Normal setting corresponds to speed 1.

Accessories

Non-ducted Filter Kit	ANKWBF4
-----------------------	---------

Installation Requirements

Amps @ 120V	3.3 Maximum
Electrical Connection	Plug In
Duct Size: Internal Blower	6" Round
Duct Size: External Blower	Not Available
Duct Direction	Vertical
Backdraft Damper	Included



Installation height above the cooking surface: 24"–30"

Telescopic flue for 8'–9' ceiling is standard.

Upper flue can be reversed to hide louvers in some applications depending on installation heights

For more details or HVI rated performance for this model see the product specifications sheet found at www.BESTRangeHoods.com





The Ispira Series offers bold modern design featuring 8 striking colors of interchangeable glass panels.

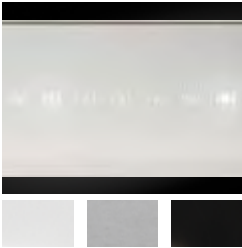
Two ultra-efficient hybrid baffle filters, easy to clean, for optimal grease removal.

Exclusive PURLED™ light system: boosts light output by 25%, distributes light six times better and improves energy efficiency by 88%.

Choice of standard white, grey and black glass colors or interchangeable optional color panels to help you personalize your kitchen décor.

Model Numbers:

30"-WCB3130SBB	WCB3130SBS	WCB3130SBW	WCB3130SBN
36"-WCB3136SBB	WCB3136SBS	WCB3136SBW	WCB3136SBN
Black	Grey	White	No Glass



Four-speed soft touch controls sit behind white, grey, black or optional glass panels to match appliance finishes or complement your kitchen décor.



PURLED™ light system boosts light output, distributes light better and improves energy efficiency.



Hybrid baffle filters provide ultra-efficient grease removal with superior air flow.

Glass panels sold separately



Emerald, Lime, Orange, Purple, Red

Hood Sizes

Widths	30", 36"
Depth	20-3/4"

Finish

Stocked	Brushed Stainless Steel (Grade 430) with white, black or grey glass
Special Order	Not Available

Features

Lighting Type	PURLED™, 5.5 watts each, 1100 Lumens, 3000K
Number of Lamps	2
Lighting Levels	3
Lighting Lamps Included	Yes
Control Type	4-speed Soft Touch
Control Features	Heat Sentry™, Delay-off
Remote Control	Not Available
Filter Type	Hybrid Baffle
Non-ducted Capability	No

Hood Blower Included

Internal	
Max Blower CFM*	650
Sones Normal Setting**	1.4

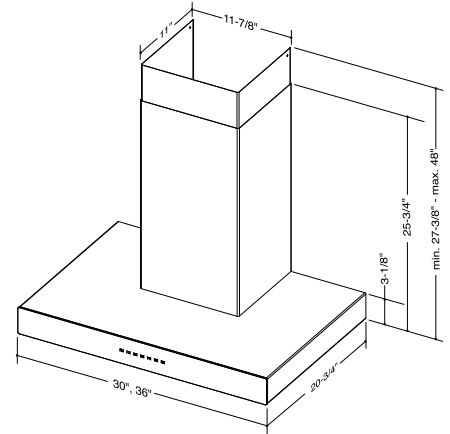
*MAX Blower CFM indicates the performance of the hood blower in open air.
**Normal setting corresponds to speed 1.

Accessories

10' Flue Extension	AEWCB3SB
Glass Panels	White, Grey, Black, Emerald, Lime, Orange, Purple, Red

Installation Requirements

Amps @ 120V	3.3
Electrical Connection	Plug In
Duct Size: Internal Blower	3-1/4" x 10"
Duct Direction	Vertical / Horizontal



Installation height above the cooking surface: 24"-36"

Telescopic flue for 8'-9' ceiling is standard. Optional flue extension for 10' ceiling

For more details or HVI rated performance for this model see the product specifications sheet found at www.BESTRangeHoods.com



If needed, ask a recommended installer to limit discharge to 300 CFM.





Powered by the exclusive iQ Blower System™ with GPS Technology (see page 58) for the quietest, most energy efficient and fastest smoke and odor removal available in a range hood; external blowers offered separately.

LED lighting has an extremely long lifespan; lamps may never need replacement.

Quick release, dishwasher-safe, mesh grease filters ensure a clean, fresh kitchen.

Heat Sentry™ detects excessive heat and adjusts blower to high automatically.

Works with optional Universal Make-Up Air Dampers.

Model Numbers:

WC34IQ90SB

WC34E90SB



Four-speed electronic control includes 10-minute delay-off and filter clean reminder.



LED lighting produces beautiful bright, clean light using minimal energy.



Optional ACR3 remote control lets the busy cook stay in control from anywhere in the kitchen.

Hood Sizes

Width 35-7/16" (90cm)

Depth 18-1/8"

Finish

Stocked Brushed Stainless Steel (Grade 430)

Special Order Not Available

Features

Lighting Type LED 6-watts, 3000K

Number of Lamps 2

Lighting Levels 1

Lighting Lamps Included Yes

Control Type 4-speed Electronic Pushbutton

Control Features Heat Sentry™, Delay Off, Filter Clean Reminder

Remote Control Optional ACR3

Filter Type Mesh Grease Filter

Non-ducted Capability Yes

Hood Blower Included (WC34IQ)

Internal	iQ6¹
Max Blower CFM*	800
Sones Normal Setting**	0.3

*MAX Blower CFM indicates the performance of the hood blower in open air.

**Normal setting corresponds to speed 1.

Hood Blower Options (WC34E blowers sold separately)

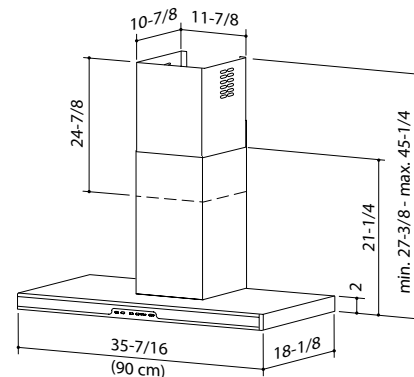
External In-line	ILB3	ILB6	ILB9	ILB11
Max CFM	300	675	900	1500
Some levels are typically half of comparable CFM internal blowers.				
External Exterior	EB6	EB9	EB12	EB15
Max CFM	665	890	1300	1650
Some levels are typically half of comparable CFM internal blowers.				

Accessories

10'-11' Flue Extension (Ducted)	AEWC345IQSB
10'-11' Flue Extension (Non-ducted)	AEWC345IQSBN
Non-Duct Kit	ANKWC345
Non-Duct Filter	AFCWC345
Universal MUA Damper	MD6TU, MD8TU, MD10TU (Requires Fresh Air Inlet)
Fresh Air Inlet	641FA, 643FA, 610FA

Installation Requirements

Amps @ 120V: Internal Blower	4.0
Amps @ 120V: External Blower	7.0 Max
Electrical Connection	Plug In
Duct Size: Internal Blower	8"
Duct Size: External Blower	8" at hood (Transition to 10" typical, see page 64)
Duct Direction	Vertical
Backdraft Damper	Included



Installation height above the cooking surface: 24"-30"

Telescopic flue for 8'-9' ceiling is standard. Optional flue extensions for 10'-11' ceiling

Upper flue can be reversed to hide louvers in some applications depending on installation heights

For more details or HVI rated performance for this model see the product specifications sheet found at www.BESTRangeHoods.com



¹If needed, ask a recommended installer to limit discharge to 300 or 400 CFM.





Dune powered by the exclusive iQ Blower System™ with GPS Technology (see page 58) for the quietest, most energy efficient and fastest smoke and odor removal available in a range hood; external blowers offered separately.

LED lighting has an extremely long lifespan; lamps may never need replacement.

Quick release, dishwasher-safe, stainless steel with mesh grease filters ensure a clean, fresh kitchen.

Heat Sentry™ detects excessive heat and adjusts blower to high automatically.

Works with optional Universal Make-Up Air Dampers.

Model Numbers:

WC35IQ90SB

WC35E90SB



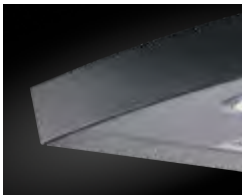
Four-speed electronic glass touch control includes 10-minute delay-off and filter clean reminder.



LED lighting produces beautiful bright, clean light using minimal energy.



Optional ACR3 remote control lets the busy cook stay in control from anywhere in the kitchen.



Beautiful mirrored black glass trim accents curved design.

Hood Sizes

Width	35-7/16" (90cm)
Depth	18-3/8"
Finish	
Stocked	Brushed Stainless Steel (Grade 430)
Special Order	Not Available

Features

Lighting Type	LED 6-watts, 3000K
Number of Lamps	2
Lighting Levels	1
Lighting Lamps Included	Yes
Control Type	4-speed Electronic Capacitive Touch Glass
Control Features	Heat Sentry™, Delay Off, Filter Clean Reminder
Remote Control	Optional ACR3
Filter Type	Stainless Steel with Mesh Grease Filter
Non-ducted Capability	Yes

Hood Blower Included (WC35IQ)

Internal	iQ6¹
Max Blower CFM*	800
Sones Normal Setting**	0.3

*MAX Blower CFM indicates the performance of the hood blower in open air.
**Normal setting corresponds to speed 1.

Hood Blower Options (WC35E blowers sold separately)

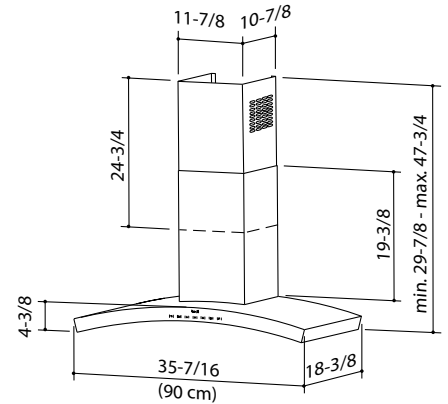
External In-line	ILB3	ILB6	ILB9	ILB11
Max CFM	300	675	900	1500
Some levels are typically half of comparable CFM internal blowers.				
External Exterior	EB6	EB9	EB12	EB15
Max CFM	665	890	1300	1650
Some levels are typically half of comparable CFM internal blowers.				

Accessories

10'-11' Flue Extension (Ducted)	AEWC345IQSB
10'-11' Flue Extension (Non-ducted)	AEWC345IQSBN
Non-Duct Kit	ANKWC345
Non-Duct Filter	AFCWC345
Universal MUA Damper	MD6TU, MD8TU, MD10TU (Requires Fresh Air Inlet)
Fresh Air Inlet	641FA, 643FA, 610FA

Installation Requirements

Amps @ 120V: Internal Blower	4.0
Amps @ 120V: External Blower	7.0 Max
Electrical Connection	Plug In
Duct Size: Internal Blower	8"
Duct Size: External Blower	8" at hood (Transition to 10" typical, see page 64)
Duct Direction	Vertical
Backdraft Damper	Included



Installation height above the cooking surface: 24"-30"

Telescopic flue for 8'-9' ceiling is standard. Optional flue extensions for 10'-11' ceiling

Upper flue can be reversed to hide louvers in some applications depending on installation heights

For more details or HVI rated performance for this model see the product specifications sheet found at www.BESTRangeHoods.com



¹If needed, ask a recommended installer to limit discharge to 300 or 400 CFM.





Powered by the exclusive iQ Blower System™ with GPS Technology (see page 58) for the quietest, most energy efficient and fastest smoke and odor removal available in a range hood; external blowers offered separately.

Glass and stainless steel intersect, joining together to form a beautiful union.

LED lighting has an extremely long lifespan; lamps may never need replacement.

Quick release, dishwasher-safe, mesh grease filters ensure a clean, fresh kitchen.

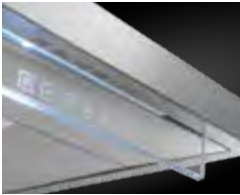
Heat Sentry™ detects excessive heat and adjusts blower to high automatically.

Works with optional Universal Make-Up Air Dampers.

Model Numbers:

WC45IQ90SB

WC45E90SB



Four-speed IR "touch-free" control senses the finger location to activate the control without actually touching it. Lock-out mode to prevent false operation when cleaning.



LED lighting produces beautiful bright, clean light using minimal energy.



Optional ACR3 remote control lets the busy cook stay in control from anywhere in the kitchen.

Hood Sizes

Width 35-7/16" (90cm)

Depth 17-11/16"

Finish

Stocked Brushed Stainless Steel (Grade 430)
Special Order Not Available

Features

Lighting Type	LED 6-watts
Number of Lamps	2
Lighting Levels	1
Lighting Lamps Included	Yes
Control Type	4-speed Electronic "IR" Infrared
Control Features	Heat Sentry™, Delay Off, Filter Clean Reminder
Remote Control	Optional ACR3
Filter Type	Stainless Steel with Mesh Grease Filter
Non-ducted Capability	Yes

Hood Blower Included (WC45IQ)

Internal	iQ6¹
Max Blower CFM*	800
Sones Normal Setting**	0.3

*MAX Blower CFM indicates the performance of the hood blower in open air.
**Normal setting corresponds to speed 1.

Hood Blower Options (WC45E blowers sold separately)

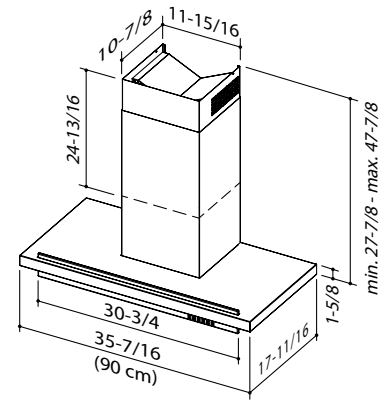
External In-line	ILB3	ILB6	ILB9	ILB11
Max CFM	300	675	900	1500
Some levels are typically half of comparable CFM internal blowers.				
External Exterior	EB6	EB9	EB12	EB15
Max CFM	665	890	1300	1650
Some levels are typically half of comparable CFM internal blowers.				

Accessories

10'-11' Flue Extension (Ducted)	AEWC345IQSB
10'-11' Flue Extension (Non-ducted)	AEWC345IQSBN
Non-Duct Kit	ANKWC345
Non-Duct Filter	AFCWC345
Universal MUA Damper	MD6TU, MD8TU, MD10TU (Requires Fresh Air Inlet)
Fresh Air Inlet	641FA, 643FA, 610FA

Installation Requirements

Amps @ 120V: Internal Blower	4.0
Amps @ 120V: External Blower	7.0 Max
Electrical Connection	Plug In
Duct Size: Internal Blower	8"
Duct Size: External Blower	8" at hood (Transition to 10" typical, see page 64)
Duct Direction	Vertical
Backdraft Damper	Included



Installation height above the cooking surface: 24"-30"

Telescopic flue for 8'-9' ceiling is standard. Optional flue extensions for 10'-11' ceiling

Upper flue can be reversed to hide louvers in some applications depending on installation heights

For more details or HVI rated performance for this model see the product specifications sheet found at www.BESTRangeHoods.com



¹If needed, ask a recommended installer to limit discharge to 300 or 400 CFM.





Island





Powered by the exclusive iQ Blower System™ with GPS Technology (see page 58) for the quietest, most energy efficient and fastest smoke and odor removal available in a range hood; external blowers offered separately.

Bright Halogen lighting floods the cooktop and surrounding area for clear visibility.

Mesh lined Hi-Flow baffle filters provide superior grease capture to ensure a clean, fresh kitchen.

Heat Sentry™ detects excessive heat and adjusts blower to high automatically.

Works with optional Universal Make-Up Air Dampers.

Model Numbers:

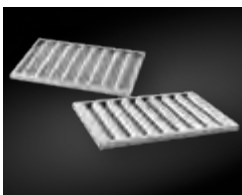
IPB9IQT48SB IPB9E48SB



Three-speed, plus boost, electronic controls include 10-minute delay-off and filter clean reminder.



Four Halogen lamps brightly illuminate the cooktop.



Hi-Flow baffle filters utilize a V-mesh & baffle design to increase airflow, decrease sound levels and provide excellent ventilation efficiency.



Optional ACR3 remote control lets the busy cook stay in control from anywhere in the kitchen.

Hood Sizes

Width	48"
Depth	27"
Finish	
Stocked	Brushed Stainless Steel (Grade 430)
Special Order	Not Available

Features

Lighting Type	Halogen, T4, G9, 25-watt
Number of Lamps	4
Lighting Levels	2
Lighting Lamps Included	Yes
Control Type	3-speed Plus Boost Electronic Pushbutton with Display
Control Features	Heat Sentry™, Delay Off, Filter Clean Reminder
Remote Control	Optional ACR3
Filter Type	Hi-Flow Baffle Filter
Non-ducted Capability	No

Hood Blower Included (IPB9IQ)

Internal	iQ12
Max Blower CFM*	1500
Sones Normal Setting**	0.6

*MAX Blower CFM indicates the performance of the hood blower in open air.
**Normal setting corresponds to speed 1.

Hood Blower Options (IPB9E blowers sold separately)

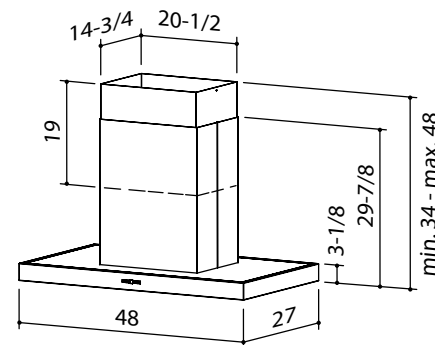
External In-line	ILB3	ILB6	ILB9	ILB11
Max CFM	300	675	900	1500
Some levels are typically half of comparable CFM internal blowers.				
External Exterior	EB6	EB9	EB12	EB15
Max CFM	665	890	1300	1650
Some levels are typically half of comparable CFM internal blowers.				

Accessories

10'-11' Flue Extension (ducted)	AEIPB9SB
Universal MUA Damper	MD6TU, MD8TU, MD10TU (Requires Fresh Air Inlet)
Fresh Air Inlet	641FA, 643FA, 610FA

Installation Requirements

Amps @ 120V: Internal Blower	8.5
Amps @ 120V: External Blower	7.0 Max
Electrical Connection	Direct Wire
Duct Size: Internal Blower	10"
Duct Size: External Blower	10" (at hood)
Duct Direction	Vertical
Backdraft Damper	Included



Installation height above the cooking surface: 24"-36"

Telescopic flue for 8'-9' ceiling is standard. Optional flue extensions for 10'-11' ceiling

For more details or HVI rated performance for this model see the product specifications sheet found at www.BESTRangeHoods.com





Powered by the exclusive iQ Blower System™ with GPS Technology (see page 58) for the quietest, most energy efficient and fastest smoke and odor removal available in a range hood; external blowers offered separately.

Bright Halogen lighting floods the cooktop and surrounding area for clear visibility.

Mesh lined Hi-Flow baffle filters provide superior grease capture to ensure a clean, fresh kitchen.

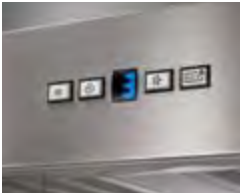
Heat Sentry™ detects excessive heat and adjusts blower to high automatically.

Works with optional Universal Make-Up Air Dampers.

Model Numbers:

IPP9IQT42SB

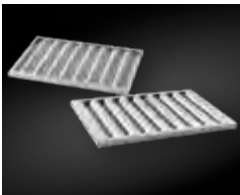
IPP9E42SB



Three-speed, plus boost, electronic controls include 10-minute delay-off and filter clean reminder.



Four Halogen lamps brightly illuminate the cooktop.



Hi-Flow baffle filters utilize a V-mesh & baffle design to increase airflow, decrease sound levels and provide excellent ventilation efficiency.



Optional ACR3 remote control lets the busy cook stay in control from anywhere in the kitchen.

Hood Sizes

Width	42"
Depth	30"
Finish	
Stocked	Brushed Stainless Steel (Grade 430)
Special Order	Not Available

Features

Lighting Type	Halogen, T4, G-9, 25-watt
Number of Lamps	4
Lighting Levels	2
Lighting Lamps Included	Yes
Control Type	3-speed Plus Boost Electronic Pushbutton with Display
Control Features	Heat Sentry™, Delay Off, Filter Clean Reminder
Remote Control	Optional ACR3
Filter Type	Hi-Flow Baffle Filter
Non-ducted Capability	No

Hood Blower Included (IPP9IQ)

Internal	iQ12
Max Blower CFM*	1500
Sones Normal Setting**	0.6

*MAX Blower CFM indicates the performance of the hood blower in open air.
 **Normal setting corresponds to speed 1.

Hood Blower Options (IPP9E blowers sold separately)

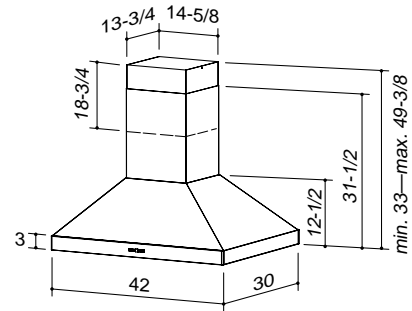
External In-line	ILB3	ILB6	ILB9	ILB11
Max CFM	300	675	900	1500
Some levels are typically half of comparable CFM internal blowers.				
External Exterior	EB6	EB9	EB12	EB15
Max CFM	665	890	1300	1650
Some levels are typically half of comparable CFM internal blowers.				

Accessories

10'-11' Flue Extension (Ducted)	AEIPP9SB
Universal MUA Damper	MD6TU, MD8TU, MD10TU (Requires Fresh Air Inlet)
Fresh Air Inlet	641FA, 643FA, 610FA

Installation Requirements

Amps @ 120V: Internal Blower	8.5
Amps @ 120V: External Blower	7.0 Max
Electrical Connection	Direct Wire
Duct Size: Internal Blower	10"
Duct Size: External Blower	10" (at hood)
Duct Direction	Vertical
Backdraft Damper	Included



Installation height above the cooking surface: 24"-36"

Telescopic flue for 8'-9' ceiling is standard. Optional flue extensions for 10'-11' ceiling

For more details or HVI rated performance for this model see the product specifications sheet found at www.BESTRangeHoods.com



ICB3



The Ispira Series offers bold modern design featuring eight striking colors of interchangeable glass panels.

Two ultra-efficient hybrid baffle filters, easy to clean, for optimal grease removal.

Exclusive PURLED™ light system boosts light output by 25%, distributes light six times better and improves energy efficiency by 88%.

Choice of standard white, grey and black glass colors or interchangeable optional color panels to help you personalize your kitchen décor.

Model Numbers:

ICB3I36SBB	ICB3I36SBS	ICB3I36SBW	ICB3I36SBN
Black	Grey	White	No Glass

Hood Sizes

Width	36"
Depth	22"

Finish

Stocked	Brushed Stainless Steel (Grade 430) with white, black or grey glass
Special Order	Not Available

Features

Lighting Type	PURLED™, 5.5 watts each, 1100 Lumens, 3000K
Number of Lamps	2
Lighting Levels	3
Lighting Lamps Included	Yes
Control Type	4-speed Soft Touch
Control Features	Heat Sentry™, Delay-off
Remote Control	Optional ACR3
Filter Type	Hybrid Baffle
Non-ducted Capability	No

Hood Blower Included

Internal	
Max Blower CFM*	650
Sones Normal Setting**	1.2

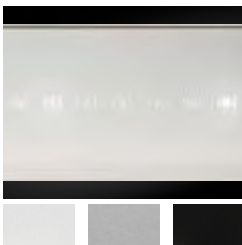
*MAX Blower CFM indicates the performance of the hood blower in open air.
 **Normal setting corresponds to speed 1.

Accessories

10' Flue Extension	AEICB3SB
Glass Panels	White, Grey, Black, Emerald, Lime, Orange, Purple, Red

Installation Requirements

Amps @ 120V: Internal Blower	3.3
Electrical Connection	Plug In
Duct Size: Internal Blower	8" Round
Duct Direction	Vertical



Four-speed soft touch controls sit behind white, grey, black or optional glass panels to match appliance finishes or complement your kitchen décor.



PURLED™ light system boosts light output, distributes light better and improves energy efficiency.



Hybrid baffle filters provide ultra-efficient grease removal and superior air flow.

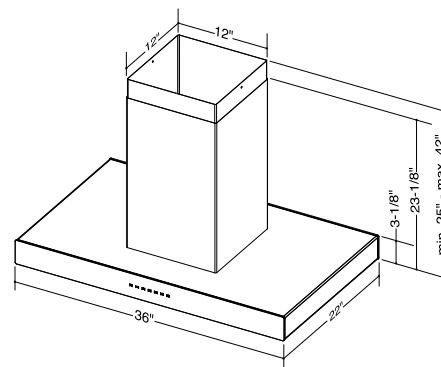


Optional ACR3 remote control lets the busy cook stay in control from anywhere in the kitchen.

Glass panels sold separately



Emerald, Lime, Orange, Purple, Red



Installation height above the cooking surface: 24"-36"

Telescopic flue for 8'-9' ceiling is standard. Optional flue extension for 10' ceiling

For more details or HVI rated performance for this model see the product specifications sheet found at www.BESTRangeHoods.com



If needed, ask a recommended installer to limit discharge to 300 CFM.





IC34 IQ

I S L A N D

Powered by the exclusive iQ Blower System™ with GPS Technology (see page 58) for the quietest, most energy efficient and fastest smoke and odor removal available in a range hood; external blowers offered separately.

LED lighting has an extremely long lifespan; lamps may never need replacement.

Quick release, dishwasher safe grease filters ensure a clean, fresh kitchen.

Heat Sentry™ detects excessive heat and adjusts blower to high automatically.

Works with optional Universal Make-Up Air Dampers.

Model Numbers:

IC34IQ100SB IC34E100SB



Four-speed Electronic pushbutton control, with LED indicator, includes 10-minute delay-off and filter clean reminder.



Four LED lamps brightly illuminate the cooktop.



Optional ACR3 remote control lets the busy cook stay in control from anywhere in the kitchen.

Hood Sizes

Width **39-3/8"**
Depth **27-5/8"**

Finish

Stocked Brushed Stainless Steel (Grade 430)
 Special Order Not Available

Features

Lighting Type	LED 6-watts, 3000K
Number of Lamps	4
Lighting Levels	1
Lighting Lamps Included	Yes
Control Type	4-speed Electronic Pushbutton
Control Features	Heat Sentry™, Delay Off, Filter Clean Reminder
Remote Control	Optional ACR3
Filter Type	Mesh Grease Filter
Non-ducted Capability	No

Hood Blower Included (IC34IQ)

Internal	iQ6¹
Max Blower CFM*	800
Sones Normal Setting**	0.3

*MAX Blower CFM indicates the performance of the hood blower in open air.
 **Normal setting corresponds to speed 1.

Hood Blower Options (IC34E blowers sold separately)

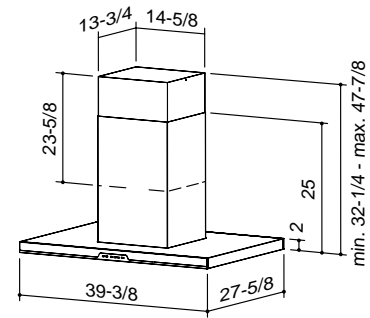
External In-line	ILB3	ILB6	ILB9	ILB11
Max CFM	300	675	900	1500
Some levels are typically half of comparable CFM internal blowers.				
External Exterior	EB6	EB9	EB12	EB15
Max CFM	665	890	1300	1650
Some levels are typically half of comparable CFM internal blowers.				

Accessories

10'-11' Flue Extension (Ducted)	AEIC34SB
Universal MUA Damper	MD6TU, MD8TU, MD10TU (Requires Fresh Air Inlet)
Fresh Air Inlet	641FA, 643FA, 610FA

Installation Requirements

Amps @ 120V: Internal Blower	4.3
Amps @ 120V: External Blower	7.0 Max
Electrical Connection	Direct Wire
Duct Size: Internal Blower	8"
Duct Size: External Blower	8" at hood (Transition to 10" typical, see page 64)
Duct Direction	Vertical
Backdraft Damper	Included



Installation height above the cooking surface: 24"-36"

Telescopic flue for 8'-9' ceiling is standard. Optional flue extensions for 10'-11' ceiling

For more details or HVI rated performance for this model see the product specifications sheet found at www.BESTRangeHoods.com



¹If needed, ask a recommended installer to limit discharge to 300 or 400 CFM.





Powerful and quiet internal blower.
 Up to 60 minute time-delay shut-off feature.
 Quick release aluminum mesh, dishwasher-safe filters.

Telescopic flue for 7'8" to 9' ceilings is standard.
 Recirculating flues have vent openings to allow non-ducted operation. Reversible design allows openings to be hidden in most ducted applications.

Designed to work with optional universal make-up air damper (MD6TU or MD8TU).
 Available in US only

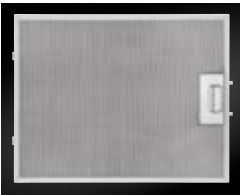
Model Numbers:
 IBF4I36SB



3-speed control with LCD display.



Four halogen lights to brightly illuminate the cooktop.



Quick release aluminum mesh, dishwasher-safe filters.

Hood Sizes

Width 36"
Depth 23-5/8"

Finish
 Stocked Brushed Stainless Steel (Grade 430)
 Special Order Not Available

Features
 Lighting Type Halogen, Type JC, 12V, 20W Maximum
 Number of Lamps 4
 Lighting Levels 1
 Lighting Lamps Included Yes
 Control Type 3-Speed, Electronic Push-button with Lighted LCD Screen
 Control Features Delay Off
 Remote Control Not Available
 Filter Type Aluminum Mesh Filter, Dishwasher safe, Quick release
 Filter: Options Not Available
 Non-ducted Capability Yes

Hood Blower Included

Internal	
Max Blower CFM*	400
Sones Normal Setting**	2.5

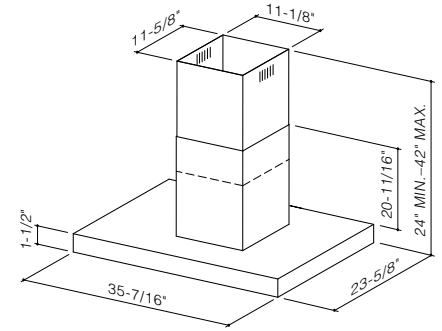
*MAX Blower CFM indicates the performance of the hood blower in open air.
 **Normal setting corresponds to speed 1.

Accessories

Non-Duct Filter Kit ANKIBF4
 10' Flue extension (Ducted) 09086

Installation Requirements

Amps @ 120V 3.3 Maximum
 Electrical Connection Hard Wired
 Duct Size: Internal Blower 6" Round
 Duct Direction Vertical
 Backdraft Damper Included



Installation height above the cooking surface: 24"-30"

Telescopic flue for 8'-9' ceiling is standard.

For more details or HVI rated performance for this model see the product specifications sheet found at www.BESTRangeHoods.com



Downdraft





Cattura downdraft system with most effective VERTEX® Complete Capture Design technology ventilates as well as an island hood.

Largest capture area for ultimate performance.

Up to 35% quieter operation than any other downdraft.

Chimney raises 18" off the counter surface for optimal capture on all burners.

Long-lasting LED lighting technology means lamps may never need replacement.

Heat Sentry™ detects excessive heat and adjusts speed to high automatically.

10-minute time-delay shut-off feature and reminder light for filter maintenance.

Remote control to activate downdraft from another location.

Works with optional Automatic Make-Up Air Dampers.

Model Numbers:

D49M30SB

D49M36SB

D49M48SB

D49M30BLS

D49M36BLS



Our VERTEX® Complete Capture Design technology performs as well as an island hood.



An LED light bar evenly illuminates the entire cooking surface.



A touch of a button raises or lowers the 18" downdraft.



Sleek, easy-to-clean touch-control panel.



An optional remote control button raises or lowers the downdraft as needed. Also available in black stainless.

Hood Sizes

Widths 30", 36", (48" stainless only)
Depth 2-1/4"

Finish

Stocked Brushed Stainless Steel (Grade 430), Black Stainless Steel

Special Order Not Available

Features

Lighting Type	LED, 7W (30"); 14W (36"); 18W (48")
Color Temp	3000K
Lighting Levels	2
Lighting Lamps Included	Yes
Control Type	4-speed Capacitive Glass
Control Features	Heat Sentry™, Delay Off, Filter Timer
Remote Control	Optional ACRD, ACRDBLS
Filter Type	Mesh Grease Filter
Non-ducted Capability	Yes

Hood Blower Options (Must choose one blower sold separately)

Internal Modular	PF6 ¹
Max Blower CFM*	650
Sones Normal Setting**	0.8

*MAX Blower CFM indicates the performance of the hood blower in open air.
 **Normal setting corresponds to speed 1.

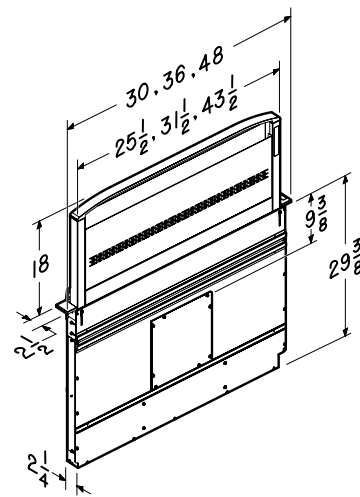
External In-Line	ILB3	ILB6	ILB9	ILB11
Max CFM	300	675	900	1500
Sone levels are typically half of comparable CFM internal blowers.				
External Exterior	EB6	EB9	EB12	EB15
Max CFM	665	890	1300	1650
Sone levels are typically half of comparable CFM internal blowers.				

Accessories

Non-ducted Recirculating Kit	ANKD
Transition to 8" Round	AVDKD8
Transition to 10" Round	AVDKD10
Charcoal Filter	AFCD
Stainless Range Trim Kit (1/2" depth)	ATKD30SB, ATKD36SB, ATKD48SB
Black Stainless Range Trim Kit (1/2" depth)	ATKDB30BLS, ATKDB36BLS
Stainless End Cap Extension	ATTD1
Black Stainless End Cap Extension	ATTD1BLS
Automatic MUA Damper	MD6T, MD8T, MD10T (Requires Fresh Air Inlet)
Fresh Air Inlet	641FA, 643FA, 610FA

Installation Requirements

Amps @ 120V: Internal Blower	6.0 Max
Electrical Connection	Plug In
Duct Size: Internal Blower	8"
Duct Size: External Blower	10" at hood
Duct Direction	Front, Left, Right, Rear or Down
Backdraft Damper	Not Included



Ten FlexBlower ducting options give you unsurpassed design flexibility. The FlexBlower can be installed in front, to the left, right or rear of the downdraft.

Optional end cap extension adds 1" to width for 31", 37" and 49" applications.

For more details or HVI rated performance for this model see the product specifications sheet found at www.BESTRangeHoods.com



¹If needed ask a recommended installer to limit discharge to 400 CFM with PF6 or 300 CFM using the ILB3 in-line motor.

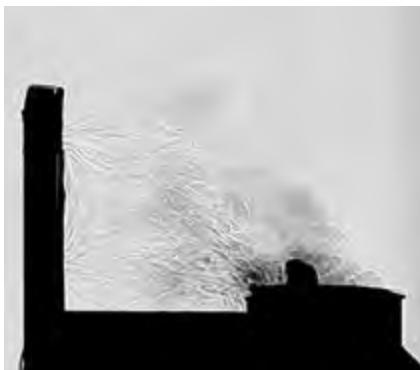


BEST® opens up new possibilities in kitchen design with the Cattura™ downdraft.

At the touch of a button the Cattura downdraft quickly rises to a height of 18" to handle serious cooking ventilation requirements and tall pots—even on the front burners.



Powerful, yet up to 35% quieter.
And in a word—beautiful.



The integral, self-closing cap hides the lowered downdraft completely, leaving your counter unobstructed.



The touch-control panel features easy-to-read icons. Its seamless design simply wipes clean.

Patented VERTEX® Complete Capture Design enables superior capture. Shadowgraph imaging confirms the capture in vivid detail. Here, heat, steam and smoke are clearly shown being drawn into the front and top inlets.

Realize design aspirations utilizing your favorite cooking appliances.

The Cattura downdraft from BEST frees you from constraints that previously limited your kitchen design options and appliance choices. For the first time, a downdraft can be installed with a free-standing range, drop-in rangetop, gas or electric cooktop, slide-in range or a built-in oven with a cooktop. The Cattura FlexBlower System makes this possible with nine ducting options. See page 60 for ducting options.

With the Best Cattura downdraft, you can choose the cooking appliance best suited to your design and cooking needs. It visually complements today's premium cooking appliances with its graceful curves and sophisticated angles. Add an accessory trim kit and be assured of a custom fit in any installation. Cattura makes it possible.

BEST Cattura works with virtually any cooking surface or appliance.



Traditional gas or electric cooktops.



Drop-in gas rangetop.



Free standing or slide-in range.



Built-in oven with cooktop.



Efficient LEDs illuminate the entire cooktop including pots and pans on the front burners.



The front panel removes easily to allow for simple clean-up in the kitchen sink.



Slot provides hidden, discrete built-in kitchen ventilation that resides flush, next to the cooktop.

10-minute delay-off and filter clean reminder ensure a clean, fresh kitchen.

Compatible with optional Universal make-up air dampers.

Smooth and sleek 3-speed capacitive touch control. Operates with optional ACR3 remote control.

Features removable filters and grease tray for fast and easy cleaning.

Model Numbers:
DC54MSB



Louvers open for ventilation.



Capacitive control includes 10-minute delay-off and filter maintenance.



Removable grease tray for easy clean-up.



Optional ACR3 remote control lets the busy cook stay in control from anywhere in the kitchen.

Hood Sizes

Widths	4-3/4"
Depth	21"
Finish	
Stocked	Brushed Stainless Steel (Grade 304)
Special Order	Not Available

Features

Lighting Type	NA
Number of Lamps	NA
Lighting Levels	NA
Lighting Lamps Included	NA
Control Type	3-speed Capacitive Touch
Control Features	10-minute Delay-off, Filter Clean Reminder
Remote Control	Optional ACR3
Filter Type	Aluminum Mesh
Non-ducted Capability	Yes

Hood Blower Options (Must choose one blower sold separately)

Internal Modular	PF3	PF6 ¹
Max Blower CFM*	300	650
Sones Normal Setting**	0.4	0.8

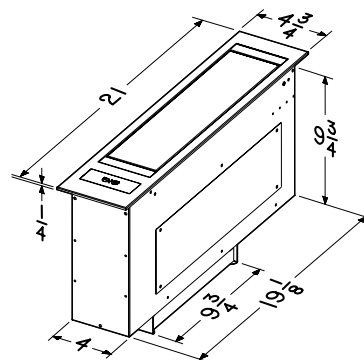
*MAX Blower CFM indicates the performance of the hood blower in open air.
**Normal setting corresponds to speed 1.

Accessories

Non-duct Kit	ANKD
Non-duct Filter	AFCD
Automatic MUA Damper	MD6TU, MD8TU, MD10TU
Fresh Air Inlets	641FA, 643FA, 610FA
Transition	3-1/4" x 14" to 8" Round, 459

Installation Requirements

Amps @ 120V: Internal Blower	3.0
Electrical Connection	Plug in
Duct Size	8" Round with transition
Duct Direction	Horizontal; left or right
Backdraft Damper	Not included



Installation distance from cooktop: Recommended for best capture—nearest to cooking surface as possible.

For use only with electric and induction cooktops.

For more details or HVI rated performance for this model see the product specifications sheet found at www.BESTRangeHoods.com



¹If needed ask a recommended installer to limit discharge to 400 CFM with PF6.





Pro-style





Classic 18" Pro-Style for wall mount applications.

Exclusive iQ Blower System™ with GPS Technology (see page 58) for the quietest, most energy efficient and fastest smoke and odor removal available in a range hood; choice of 13 Internal or

External blower options offered separately.

Bright Halogen lighting floods the cooktop and surrounding area for clear visibility.

Mesh lined Hi-Flow baffle filters provide superior grease capture to ensure a clean, fresh kitchen.

Heat Sentry™ detects excessive heat and adjusts blower to high automatically.

Works with optional Universal Make-Up Air Dampers.

Model Numbers:

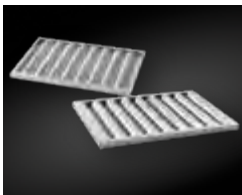
WP28M30SB	WP28M42SB	WP28M54SB
WP28M36SB	WP28M48SB	WP28M60SB



Variable speed control with last setting memory.



Halogen lamps brilliantly illuminate the cooktop.



Hi-Flow baffle filters utilize a V-mesh & baffle design to increase airflow, lower sound levels and provide excellent ventilation efficiency.



A professional style RMP backplash with built-in holding racks provides a dramatic and functional backdrop for your BEST® wall-mounted range hood. When protection is needed, an RMP backplash is an easy-to-clean option to materials such as tile and stone.

Hood Sizes

Widths	30", 36", 42", 48", 54", 60"
Depth	24"

Must purchase blower separately.

Finish

Stocked	Brushed Stainless Steel (Grade 430)
Special Order	Not Available

Features

Lighting Type	Halogen, GU10, MR16, 50-watt
Number of Lamps	2 on 30", 36" 4 on 42", 48", 54", 60"
Lighting Levels	2
Lighting Lamps Included	Yes
Control Type	Infinite Speed Rotary with Last Setting Memory
Control Features	Heat Sentry™
Remote Control	Not Available
Filter Type	Hi-Flow Baffle Filter
Non-ducted Capability	No

Hood Blower Options (Must choose one blower sold separately)

Internal Modular	iQ6 ¹	iQ12	P3	P6	P12
Max Blower CFM*	800	1500	300	650	1300
Sones Normal Setting**	0.3	0.6	0.3	2.0	2.25

*MAX Blower CFM indicates the performance of the hood blower in open air.
**Normal setting corresponds to speed 1.

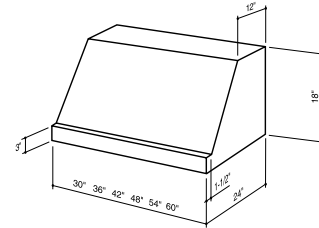
External In-line	ILB3	ILB6	ILB9	ILB11
Max CFM	300	675	900	1500
Sone levels are typically half of comparable CFM internal blowers.				
External Exterior	EB6	EB9	EB12	EB15
Max CFM	665	890	1300	1650
Sone levels are typically half of comparable CFM internal blowers.				

Accessories

Decorative Soffit Flue	AEWP28302SB, AEWP28362SB, AEWP28422SB, AEWP28482SB, AEWP28542SB, AEWP28602SB
Backsplashes	RMP3004, RMP3604, RMP4204, RMP4804, RMP5404, RMP6004
Universal MUA Damper	MD6TU, MD8TU, MD10TU (Requires Fresh Air Inlet)
CFM Reducer Kit	ARP8 (use with P6 blower only)
Fresh Air Inlet	641FA, 643FA, 610FA

Installation Requirements

Amps @ 120V	8.5 Max
Electrical Connection	Direct Wire
Duct Size: Internal Blower	8" (iQ6, P3, P6) 10" (iQ12, P12)
Duct Size: External Blower	10" (at hood)
Duct Direction	Vertical and Horizontal
Backdraft Damper	Refer to Blower

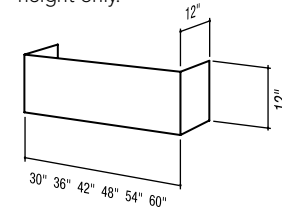


Installation height above the cooking surface: 24"-36"

For more details or HVI rated performance for this model see the product specifications sheet found at www.BESTRangeHoods.com

AEWP Decorative Soffit Flue

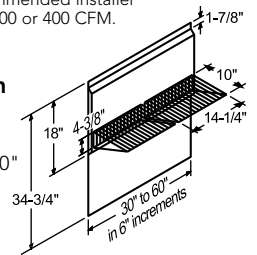
A soffit flue is available in brushed stainless steel, and attaches to the top of the range hood shell. It is available in all hood widths in 12" height only.



¹If needed, ask a recommended installer to limit discharge to 300 or 400 CFM.

RMP Backsplash

- Height: 33-1/2"
- Width: 30", 36", 42", 48", 54" & 60"
- Finish: Standard Stainless Steel





Classic 10" Pro-Style for under cabinet applications.

Exclusive iQ Blower System™ with GPS Technology (see page 58) for the quietest, most energy efficient and fastest smoke and odor removal available in a range hood; choice of 13 Internal or External blower options offered separately.

Bright Halogen lighting floods the cooktop and surrounding area for clear visibility.

Mesh lined Hi-Flow baffle filters provide superior grease capture to ensure a clean, fresh kitchen.

Heat Sentry™ detects excessive heat and adjusts blower to high automatically.

Works with optional Universal Make-Up Air Dampers.

Model Numbers:

UP26M30SB

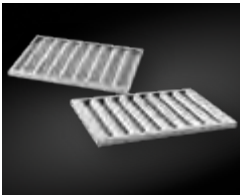
UP26M36SB

UP26M42SB

UP26M48SB



Rotary controls for two-level lighting and variable blower speeds enable the user to choose operating preferences.



Hi-Flow baffle filters utilize a V-mesh & baffle design to increase airflow, lower sound levels and provide excellent ventilation efficiency.



A professional style RMP backsplash with built-in holding racks provides a dramatic and functional backdrop for your BEST® wall-mounted range hood. When protection is needed, an RMP backsplash is an easy-to-clean option to materials such as tile and stone.

Hood Sizes

Widths 30", 36", 42", 48"
Depth 22"

Must purchase blower separately.

Finish

Stocked Brushed Stainless Steel (Grade 430)
 Special Order Not Available

Features

Lighting Type	Halogen, GU10, MR16, 50-watt
Number of Lamps	2 on 30", 36" 3 on 42", 48"
Lighting Levels	2
Lighting Lamps Included	Yes
Control Type	Infinite Speed Rotary with Last Setting Memory
Control Features	Heat Sentry™
Remote Control	Not Available
Filter Type	Hi-Flow Baffle Filter
Non-ducted Capability	No

Hood Blower Options (Must choose one blower sold separately)

Internal Modular	iQ6 ¹	P3	P5	P6	P8 ¹
Max Blower CFM*	800	300	530	650	950
Sones Normal Setting**	0.3	0.3	0.6	2.0	1.3

*MAX Blower CFM indicates the performance of the hood blower in open air.
 **Normal setting corresponds to speed 1.

External In-line	ILB3	ILB6	ILB9	ILB11
Max CFM	300	675	900	1500
Sone levels are typically half of comparable CFM internal blowers.				
External Exterior	EB6	EB9	EB12	EB15
Max CFM	665	890	1300	1650
Sone levels are typically half of comparable CFM internal blowers.				

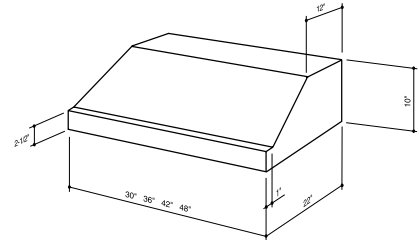
¹P8 cannot be used with 30" width

Accessories

Backsplashes	RMP3004, RMP3604, RMP4204, RMP4804
Universal MUA Damper	MD6TU, MD8TU, MD10TU (Requires Fresh Air Inlet)
CFM Reducer Kit	ARP8 (use with P6 blower only)
Fresh Air Inlet	641FA, 643FA, 610FA

Installation Requirements

Amps @ 120V	7.7 Max
Electrical Connection	Direct Wire
Duct Size: Internal Blower	8" (iQ6, P3, P6)
Duct Size: Internal Blower	3-1/4" x 10" (P5); x14" (P8)
Duct Size: External Blower	10" (at hood)
Duct Direction	Vertical & Horizontal (P5 & P8 only)
Backdraft Damper	Included



Installation height above the cooking surface: 24"-36"

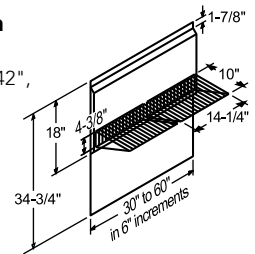
For more details or HVI rated performance for this model see the product specifications sheet found at www.BESTRangeHoods.com



¹If needed, ask a recommended installer to limit discharge to 300 or 400 CFM.

RMP Backsplash

- Height: 33-1/2"
- Width: 30", 36", 42", 48", 54" & 60"
- Finish: Standard Stainless Steel





Contemporary 18" Pro-Style for wall mount applications.

Exclusive iQ Blower System™ with GPS Technology (see page 58) for the quietest, most energy efficient and fastest smoke and odor removal available in a range hood; choice of 13 Internal or

External blower options offered separately.

Bright Halogen lighting floods the cooktop and surrounding area for clear visibility.

Mesh lined Hi-Flow baffle filters provide superior grease capture to ensure a clean, fresh kitchen.

Heat Sentry™ detects excessive heat and adjusts blower to high automatically.

Works with optional Universal Make-Up Air Dampers.

Model Numbers:

WP29M304SB	WP29M424SB	WP29M544SB
WP29M364SB	WP29M484SB	WP29M604SB



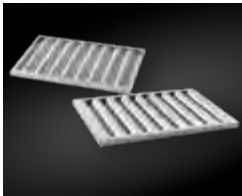
Optional non-duct recirculation kit for hoods up to 48" using BEST® single internal blower.



Variable speed control with last setting memory.



Halogen lamps brilliantly illuminate the cooktop.



Hi-Flow baffle filters utilize a V-mesh & baffle design to increase airflow, lower sound levels and provide excellent ventilation efficiency.

Hood Sizes

Widths	30", 36", 42", 48", 54", 60"
Depth	24"

Must purchase blower separately.

Finish

Stocked	Brushed Stainless Steel (Grade 304)—Seamless
Special Order	Not Available

Features

Lighting Type	Halogen, GU10, MR16, 50-watt
Number of Lamps	4 on 30", 36", 42" 6 on 48", 54", 60"
Lighting Levels	Variable
Lighting Lamps Included	Yes
Control Type	Infinite Speed Rotary with Memory
Control Features	Heat Sentry™
Remote Control	Not Available
Filter Type	Hi-Flow Baffle Filter
Non-ducted Capability	Yes

Hood Blower Options (Must choose one blower sold separately)

Internal Modular	iQ6 ¹	iQ12	P3	P6	P12
Max Blower CFM*	800	1500	300	650	1300
Sones Normal Setting**	0.3	0.6	0.3	2.0	2.25

*MAX Blower CFM indicates the performance of the hood blower in open air.
**Normal setting corresponds to speed 1.

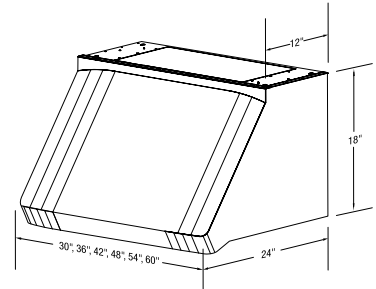
External In-line	ILB3	ILB6	ILB9	ILB11
Max CFM	300	675	900	1500
Sone levels are typically half of comparable CFM internal blowers.				
External Exterior	EB6	EB9	EB12	EB15
Max CFM	665	890	1300	1650
Sone levels are typically half of comparable CFM internal blowers.				

Accessories

Decorative Soffit Flue	AEWP302SB, AEWP362SB, AEWP422SB, AEWP482SB, AEWP542SB, AEWP602SB
Non-Duct Kit for iQ6, P3 and P6	ANKWP306RSB, ANKWP366RSB, ANKWP426RSB, ANKWP486RSB
Non-Duct Filter	AFCROUND2
Universal MUA Damper	MD6TU, MD8TU, MD10TU (Requires Fresh Air Inlet)
CFM Reducer Kit	ARP8 (use with P6 blower only)
Fresh Air Inlet	641FA, 643FA, 610FA

Installation Requirements

Amps @ 120V	6.0 Max
Electrical Connection	Direct Wire
Duct Size: Internal Blower	8" (iQ6, P3, P6) 10" (iQ12, P12)
Duct Size: External Blower	10" (at hood)
Duct Direction	Vertical and Horizontal
Backdraft Damper	Included with Blower



Installation height above the cooking surface: 24"-36"

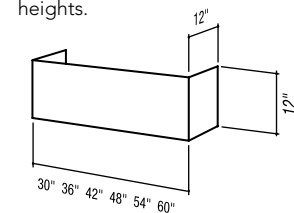
For more details or HVI rated performance for this model see the product specifications sheet found at www.BESTRangeHoods.com



¹If needed, ask a recommended installer to limit discharge to 300 or 400 CFM.

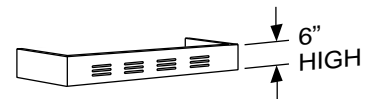
AEWP Decorative Soffit Flue

A soffit flue is available in brushed stainless steel, and attaches to the top of the range hood shell. It is available in all hood widths and 12" heights.



ANKWP Non-Duct Soffit Kit

A non-ducted soffit flue kit is available in hood widths up to 48", in a 6" height.





Contemporary 10" Pro-Style for under cabinet applications.

Exclusive iQ Blower System™ with GPS Technology (see page 58) for the quietest, most energy efficient and fastest smoke and odor removal available in a range hood; choice of 11 Internal or External blower options offered separately.

Canopy design utilizes fully welded construction for seamless appearance.

Bright Halogen lighting floods the cooktop and surrounding area for clear visibility.

Mesh lined Hi-Flow baffle filters provide superior grease capture to ensure a clean, fresh kitchen.

Heat Sentry™ detects excessive heat and adjusts blower to high automatically.

Works with optional Universal Make-Up Air Dampers.

Model Numbers:

UP27M30SB

UP27M36SB

UP27M42SB

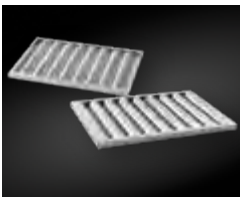
UP27M48SB



Infinite speed control with last setting memory.



Halogen lamps brilliantly illuminate the cooktop.



Hi-Flow baffle filters utilize a V-mesh & baffle design to increase airflow, decrease sound levels and provide excellent ventilation efficiency.

Hood Sizes

Widths 30", 36", 42", 48"

Depth 22"

Must purchase blower separately.

Finish

Stocked Brushed Stainless Steel (Grade 304)—Seamless
Special Order Not Available

Features

Lighting Type Halogen, GU10, MR16, 50-watt
Number of Lamps 2 on 30", 36" | 4 on 42", 48"
Lighting Levels Variable
Lighting Lamps Included Yes
Control Type Infinite Speed Rotary with Last Setting Memory
Control Features Heat Sentry™
Remote Control Not Available
Filter Type Hi-Flow Baffle Filter
Non-ducted Capability No

Hood Blower Options (Must choose one blower sold separately)

Internal Modular	iQ6 ¹	P3	P6
Max Blower CFM*	800	300	650
Sones Normal Setting**	0.3	0.3	2.0

*MAX Blower CFM indicates the performance of the hood blower in open air.
**Normal setting corresponds to speed 1.

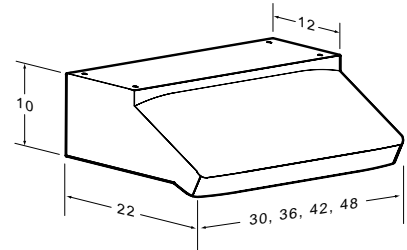
External In-line	ILB3	ILB6	ILB9	ILB11
Max CFM	300	675	900	1500
Some levels are typically half of comparable CFM internal blowers.				
External Exterior	EB6	EB9	EB12	EB15
Max CFM	665	890	1300	1650
Some levels are typically half of comparable CFM internal blowers.				

Accessories

Universal MUA Damper MD6TU, MD8TU, MD10TU (Requires Fresh Air Inlet)
CFM Reducer Kit ARP314 (use with P6 blower only)
Fresh Air Inlet 641FA, 643FA, 610FA

Installation Requirements

Amps @ 120V 7.7 Max
Electrical Connection Direct Wire
Duct Size: Internal Blower 8"
Duct Size: External Blower 10" (at hood)
Duct Direction Vertical
Backdraft Damper Included



Installation height above the cooking surface: 24"-36"

For more details or HVI rated performance for this model see the product specifications sheet found at www.BESTRangeHoods.com



¹If needed, ask a recommended installer to limit discharge to 300 or 400 CFM.





Outdoor





Large 27" deep design to handle heat and size of outdoor grills for a best-in-class capture. Optional 3" wall extension for even greater coverage without expensive wall accommodations. UL listed for use in damp locations.

Illuminated ON/OFF indicator
4-speed rotary controls resist the effects of heat and moisture.
Heat Sentry™ detects excessive heat and adjusts speed to high automatically.

Model Numbers:

WPD38136SB WPD38142SB WPD38148SB WPD38160SB



Large, easy-to-remove baffle filter and grease rail.



Bright halogen lighting and 4-speed control with illuminated ON/OFF indicator.



1200 CFM Internal Blower. Tested to ensure operation in corrosive environments.

Hood Sizes

Widths	36", 42", 48", 60"
Depth	27" (30" with Optional 3" Wall Extension)

Finish

Stocked	Corrosion Resistant Stainless Steel (Grade 304)
Special Order	Not Available

Features

Lighting Type	Halogen, MR16; GU10-50W
Number of Lamps	2 on 36" and 42" 3 on 48" and 60"
Lighting Levels	1
Lighting Lamps Included	Yes
Control Type	4-speed, Rotary, Illuminated ON/OFF Indicator
Control Features	Heat Sentry™
Remote Control	Not Available
Filter Type	304 Stainless Steel Baffle Filters
Non-ducted Capability	No

Hood Blower Included (WPD381)

Internal	
Max Blower CFM*	1300
Sones Normal Setting**	2.0

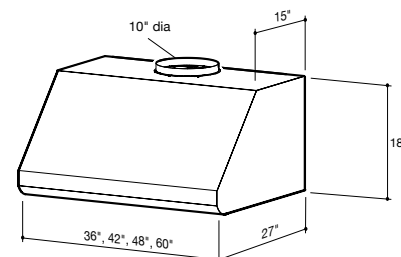
*MAX Blower CFM indicates the performance of the hood blower in open air.
**Normal setting corresponds to speed 1.

Installation Requirements

Amps @ 120V	9.0 Max
Electrical Connection	Direct Wire
Duct Size: Internal Blower	10"
Duct Size: External Blower	Not Available
Duct Direction	Vertical
Backdraft Damper	Not Included

Accessories

Flue Cover (Standard Depth)	6" AEWPD36SB 18" AEWPD318SB 30" AEWPD330SB 30"-54" AEWPD3054SB
Flue Cover (Extended Depth)	6" AEWPD36SBE 18" AEWPD318SBE 30" AEWPD330SBE 30"-54" AEWPD3054SBE
3" Wall Extension	Adds 3" to depth of hood 36" AWWPD336SB 42" AWWPD342SB 48" AWWPD348SB 60" AWWPD360SB



Installation height above the cooking surface: 36"

For more details or HVI rated performance for this model see the product specifications sheet found at www.BESTRangeHoods.com

Standard and Extended Depth Flue Covers

Corrosion resistant flue covers in professional grade stainless steel attach to the top of the range hood shell. Available in 6", 18", 30" and 30"-54" telescopic heights. Deeper flues are available for hoods using the 3" wall extension.



Fixed 6" = 8' ceiling
Fixed 18" = 9' ceiling
Fixed 30" = 10' ceiling
Telescopic 30"-54" = 10'-12' ceiling





Ample 30" deep design to handle heat and size of outdoor grills. Optional 3" wall extension for even greater coverage without expensive wall accommodations.

UL listed for use in damp locations.

Design allows choice of blowers, either internal or external, for the perfect blend of performance and quiet.

Convenient ON/OFF switch remembers the last blower setting.

Heat Sentry™ detects excessive heat and adjusts speed to high automatically.

Variable-speed control resists the effects of heat and moisture.

Model Numbers:

WPD39M36SB

WPD39M42SB

WPD39M48SB

WPD39M60SB



Patent-pending V-Baffle design directs grease to an easy-to-remove tray.



Halogen lamps provide brilliant cooktop lighting. 2 on 36" and 42"—3 on 48" and 60" width hoods.



A variable-speed rotary control enables infinite blower speed adjustment.

Hood Sizes

Widths	36", 42", 48", 60"
Depths	30" (33" with Optional 3" Wall Extension)

Finish

Stocked	Corrosion Resistant Stainless Steel (Grade 304)
Special Order	Not Available

Features

Lighting Type	Halogen, MR16; GU10-50W
Number of Lamps	2 on 36" and 42" 3 on 48" and 60"
Lighting Levels	2
Lighting Lamps Included	Yes
Control Type	Infinite Speed, Rotary, Illuminated ON/OFF with Last Memory Setting
Control Features	Heat Sentry™
Remote Control	Not Available
Filter Type	304 Stainless Steel Baffle Filters
Grease Tray and Rail	Non-stick
Non-ducted Capability	No

Hood Blower Options (Must choose one blower sold separately)

Internal Modular	P12	
Max Blower CFM*	1300	
Sones Normal Setting**	2.25	

*MAX Blower CFM indicates the performance of the hood blower in open air.
**Normal setting corresponds to speed 1.

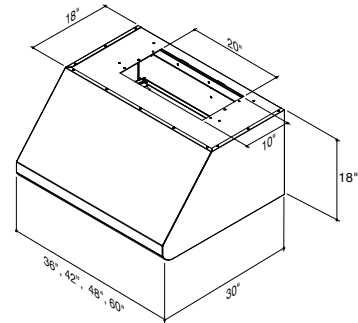
External In-line	ILB11	
Max CFM	1500	
Some levels are typically half of comparable CFM internal blowers.		
External Exterior	EB12	EB15
Max CFM	1300	1650
Some levels are typically half of comparable CFM internal blowers.		

Installation Requirements

Amps @ 120V	6.4 Max
Electrical Connection	Direct Wire
Duct Size: Internal Blower	10"
Duct Direction	Vertical
Backdraft Damper	Not Included

Accessories

Flue Cover (Standard Depth)	6" AEWPD36SB
	18" AEWPD318SB
	30" AEWPD330SB
	30"-54" AEWPD3054SB
Flue Cover (Extended Depth)	6" AEWPD36SBE
	18" AEWPD318SBE
	30" AEWPD330SBE
	30"-54" AEWPD3054SBE
3" Wall Extension	Adds 3" to depth of hood
	36" AWWPD336SB
	42" AWWPD342SB
	48" AWWPD348SB
	60" AWWPD360SB



Installation height above the cooking surface: 36"

For more details or HVI rated performance for this model see the product specifications sheet found at www.BESTRangeHoods.com

Standard and Extended Depth Flue Covers

Corrosion resistant flue covers in professional grade stainless steel attach to the top of the range hood shell. Available in 6", 18", 30" and 30-54" telescopic heights. Deeper flues are available for hoods using the 3" wall extension.



Fixed 6" = 8' ceiling
Fixed 18" = 9' ceiling
Fixed 30" = 10' ceiling
Telescopic 30"-54" = 10'-12' ceiling





Large 30" deep design to handle the heat and size of outdoor grills for a best-in-class capture.

UL listed for use in damp locations.

Bright halogen lighting.

Variable-speed rotary control designed to resist the effects of heat and moisture.

Stainless steel baffle filters.

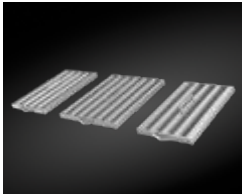
Heat Sentry™ detects excessive heat and adjusts to high automatically.

Model Numbers:

WTD9M36SB

WTD9M42SB

WTD9M48SB



Large, easy to remove baffle filters and grease rail.



Bright halogen lighting.



A variable-speed rotary control enables infinite blower speed adjustment.

Hood Sizes

Widths 36", 42", 48"

Depths 30"

Finish

Stocked Corrosion Resistant Stainless Steel (Grade 304)

Special Order Not Available

Features

Lighting Type Halogen, MR16; GU10-50W

Number of Lamps 2

Lighting Levels 1

Lighting Lamps Included Yes

Control Type Infinite Speed Rotary, Illuminated ON/OFF with Last Memory Setting

Control Features Heat Sentry™

Remote Control Not Available

Filter Type Baffle

Non-ducted Capability No

Hood Blower Options (Blower sold separately)

Internal Modular	P12NA
Max Blower CFM*	1300
Sones Normal Setting**	2.0

*MAX Blower CFM indicates the performance of the hood blower in open air.

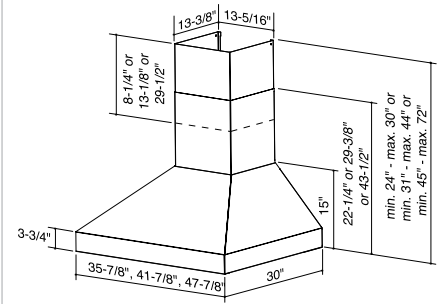
**Normal setting corresponds to speed 1.

Installation Requirements

Amps @ 120V	7.0
Electrical Connection	Direct Wire
Duct Size: Internal Blower	10"
Duct Direction	Vertical
Backdraft Damper	Not Included

Accessories

Flue Extension	8–8.5 ft AEWTD915SB
	8.5–9.5 ft AEWTD1629SB
	9.5–12 ft AEWTD3057SB



Installation height above the cooking surface: 36"

For more details or HVI rated performance for this model see the product specifications sheet found at www.BESTRangeHoods.com

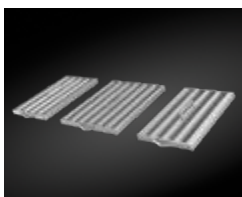




Large 30" deep design to handle the heat and size of outdoor grills for a best-in-class capture. Variable-speed rotary control designed to resist the effects of heat and moisture. Stainless steel baffle filters. Heat Sentry™ detects excessive heat and adjusts to high automatically.

UL listed for use in damp locations. Bright halogen lighting.

Model Numbers:
 CPD9M363SB CPD9M423SB CPD9M483SB



Large, easy-to-remove baffle filter and grease rail.



Bright halogen lighting.



A variable-speed rotary control enables infinite blower speed adjustment.

Hood Sizes

Widths **36", 42", 48"**
Depths **28-3/8"**

Finish

Stocked Corrosion Resistant Stainless Steel (Grade 304)
 Special Order Not Available

Features

Lighting Type Halogen, MR16, GU10-50W
 Number of Lamps 2
 Lighting Levels 1
 Lighting Lamps Included Yes
 Control Type Infinite Speed Rotary, Illuminated ON/OFF with Last Memory Setting
 Control Features Heat Sentry™
 Remote Control Not Available
 Filter Type Baffle
 Non-ducted Capability No

Hood Blower Options (Blower sold separately)

Internal Modular	P12NA
Max Blower CFM*	1300
Sones Normal Setting**	2.0

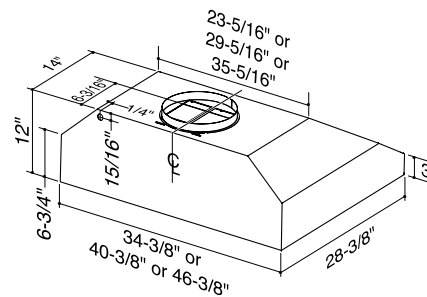
*MAX Blower CFM indicates the performance of the hood blower in open air.
 **Normal setting corresponds to speed 1.

Installation Requirements

Amps @ 120V 7.0
 Electrical Connection Direct Wire
 Duct Size: Internal Blower 10"
 Duct Direction Vertical
 Backdraft Damper Not Included

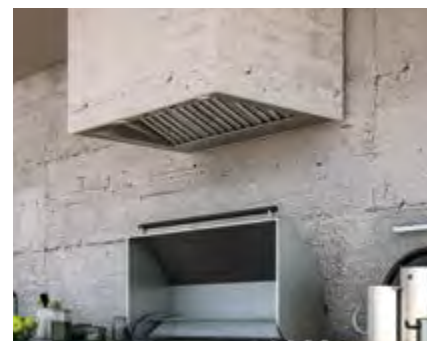
Accessories

None



Installation height above the cooking surface: 36"

For more details or HVI rated performance for this model see the product specifications sheet found at www.BESTRangeHoods.com





22.5" deep design handles heat of outdoor grills.

Controls are designed to resist the effects of heat and moisture.

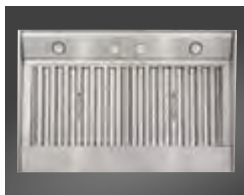
UL listed for use in damp locations.

Heat Sentry™ detects excessive heat and adjusts speed to high automatically.

Integrated liner simplifies installation with a complete finished look.

Model Numbers:

CPDI362SB CPDI482SB CPDI602SB



Large baffle filter design for superior grease capture.



Halogen lights provide bright cooktop lighting, 2 on 36" — 3 on 48" and 60".



Three-speed rotary controls allow the user to choose operating preference.

Hood Sizes

Widths	34-3/8", 46-3/8", 58-7/8"
Depth	22-1/2"
Finish	
Stocked	Corrosion Resistant Stainless Steel (Grade 304)
Special Order	Not Available

Features

Lighting Type	Halogen, MR16; GU10-50W
Number of Lamps	2 on 36" 3 on 48" and 60"
Lighting Levels	2
Lighting Lamps Included	Yes
Control Type	3-speed Rotary
Control Features	Heat Sentry™
Remote Control	Not Available
Filter Type	304 Stainless Steel Baffle Filters
Non-ducted Capability	No

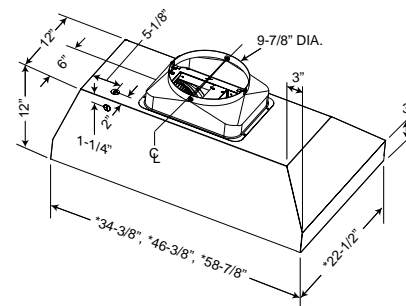
Hood Blower Included (CPD)

Internal	
Max Blower CFM*	1250
Sones Normal Setting**	3.0

*MAX Blower CFM indicates the performance of the hood blower in open air.
 **Normal setting corresponds to speed 1.

Installation Requirements

Amps @ 120V	7.1 Max
Electrical Connection	Direct Wire
Duct Size: Internal Blower	10"
Duct Size: External Blower	Not Available
Duct Direction	Vertical
Backdraft Damper	Not Included



Installation height above the cooking surface: 36"

For more details or HVI rated performance for this model see the product specifications sheet found at www.BESTRangeHoods.com



Three keys to maximizing quiet operation.

Because of the design of the iQ blower, it inherently operates at a considerably quieter rating than traditional blowers. In fact, it's up to two times more quiet than standard blowers. Three key features make it possible.

1. **Blower housing design** that lowers airflow turbulence, reducing sound at high speeds.
2. **Blower wheel design** that delivers greater airflow at lower RPMs.
3. **A digital DC motor**, balanced to minimize vibration typically found in AC motors.

Technology built for energy efficiency. Advanced DC motor technology is at the heart of the iQ blower. This balanced, digital motor uses as little as 8 watts of power. Its built-in control board optimizes blower speed so it's not over-working. The result is up to 22 times more energy efficiency than standard blowers—savings you'll continue to see over the life of the product.



Nothing surpasses BEST® iQ blowers in performance, sound and energy use.

There are great advantages to the iQ Blower System™ that make your life more comfortable and ensure confidence in the operation and effectiveness of your BEST range hood. Standard range hoods lose performance due to the home's duct system which reduces the speed of smoke and cooking odor removal. iQ blowers with GPS calibration enable up to 30% faster smoke removal. For the first time, a range hood delivers the performance you expected—and paid for.

Flexible operation in three modes.

State-of-the-art iQ technology offers operational flexibility based on your unique installation. Whether optimizing duct runs in a new home or dealing with the challenges of an existing installation, the iQ blower delivers impressive performance, regardless of the mode in which you use it. Here's how:

1. Full-rated Performance from the iQ Blower System™ is assured with Guaranteed Performance System (GPS) technology and the use of specified duct sizes. The hood self-calibrates to the installation at the push of a button. From there, the blower goes to work ensuring optimal CFM is achieved and meets the ratings specified.

2. Peak Performance in restricted or limited duct installations is possible with the use of GPS. If the duct system design requires smaller sizes than recommended, iQ takes into account the duct restrictions and calibrates to the highest (peak) CFM possible. That means the performance level achieved is significantly greater than that of standard hoods without the iQ System. The iQ blower can be recalibrated at any time to ensure the range hood is delivering the performance you expect.

3. Standard Performance enables you to install and use the range hood at factory settings. This delivers the performance found in our standard high pressure blowers which have led the industry for decades.

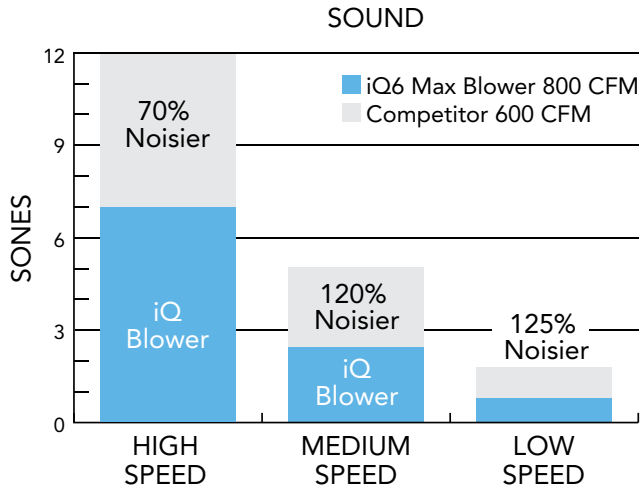
Performance with confidence.

Builders, designers and consumers... you should not have to compromise performance to meet unique application or code requirements. BEST™ introduces our NEW Code Ready Technology (CRT) a feature offered on all BEST models with the CRT logo. CRT allows the installer to set the maximum blower speed to achieve the right level of performance in one convenient model. This technology is another solution to address local codes or make-up air requirements. Design to your specs and let BEST handle the rest.

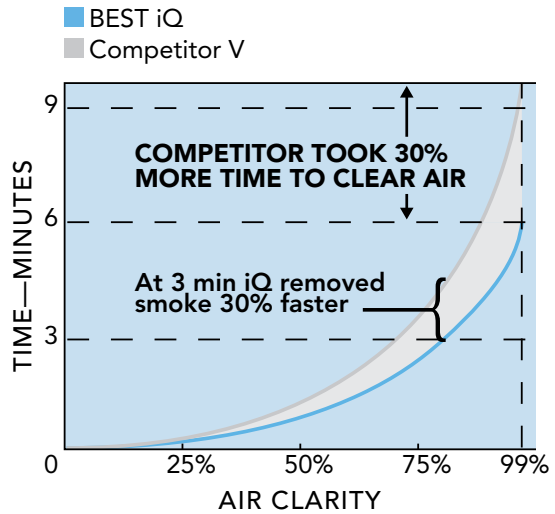
BEST® iQ Blower System™

Intelligent, quiet and energy efficient.

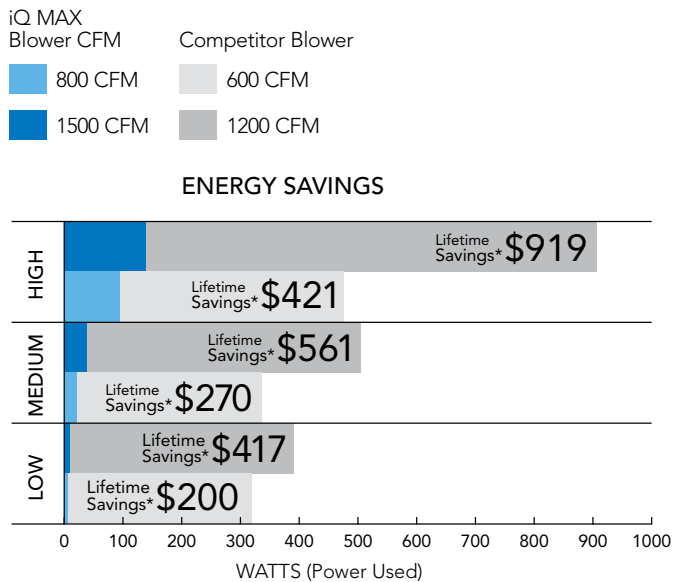
Hear the difference. Whether operating at different speeds, a BEST iQ Blower System™ is much more quiet than competing blowers in its class.



Clear the air faster. Independent tests prove that the BEST iQ Blower System™ will clear the air up to 30% faster than competing blowers with similar CFM rating.



Energy savings add up quickly. Whether you choose a 800 or 1500 CFM iQ blower, the savings add up over the lifetime of the product.



1800 cubic feet of smoke cleared from a 10 x 10 x 9 foot room, using the same size hoods, at the same rated CFM, with the same ductwork.

FlexBlower System for Cattura™ D49M



Ten ducting options open up your design possibilities. Because the FlexBlower system enables multiple positioning options, you can install the blower under the floor, in a side or rear cabinet for installations that incorporate ovens, or to open up cabinet space under the cooking surface. That kind of flexibility opens up a whole new way to look at kitchen design.

Blower Selection Guide for Cattura Downdraft

Model	Width	Type of Residential Cooking Surface	Blower Connection to Downdraft				Recommended Blower Type										
			Front Mount Blower	Front Duct Outlet	Rear or Side Single Outlet	Dual Outlet	With Up to 50' of Equivalent Duct					With 51' to 100' of Equivalent Duct					Recirculation
							Flex Blower	Exterior Blower			InLine Blower	Flex Blower	Exterior Blower			InLine Blower	Flex Blower
PF6	EB9	EB12	EB15	ILB11	PF6	EB9	EB12	EB15	ILB11	PF6	EB9	EB12	EB15	ILB11	PF6		
D49M30SB D49M30BLS	30"	Electric or Induction	A	B	C	—	ABC	BC	—	—	BC	ABC	—	BC	—	—	AC
		Gas up to 60K Btu	A	B	C	D	ABC	BD	—	—	BC	ABC	—	BD	—	—	AC
		Gas 60K to 90K Btu	A	B	C	D	ABC	—	—	—	BC	ABC	—	BD	—	—	AC
		Gas over 90K Btu	A	B	C	D	AB	—	BD	—	—	AB	—	—	BD	—	AC
		Any Surface with Grill, Griddle, or large wok burner	—	B	—	D	—	—	—	BD	—	—	—	—	BD	—	Not Recommended
D49M36SB D49M36BLS	36"	Electric or Induction	A	B	C	—	ABC	B	—	—	BC	ABC	—	BC	—	—	AC
		Gas up to 60K Btu	A	B	C	D	ABC	BD	BC	—	BD	ABC	—	BD	—	—	AC
		Gas 60K to 90K Btu	A	B	C	D	ABC	—	BC	—	BD	ABC	—	BD	C	—	AC
		Gas over 90K Btu	A	B	C	D	AB	—	BD	—	—	AB	—	—	BD	—	AC
		Any Surface with Grill, Griddle, or large wok burner	—	B	—	D	—	—	—	BD	—	—	—	—	BD	—	Not Recommended
D49M48SB	48"	Electric or Induction	A	B	C	D	ABC	BD	C	—	BD	ABC	—	BDC	—	—	AC
		Gas up to 60K Btu	A	B	C	D	ABC	BD	C	—	BD	AB	—	BD	C	—	AC
		Gas 60K to 90K Btu	A	B	C	D	AB	—	BD	—	—	AB	—	B	D	—	AC
		Gas over 90K Btu	A	B	C	D	—	—	B	D	—	—	—	—	BD	—	AC
		Any Surface with Grill, Griddle, or large wok burner	—	B	—	D	—	—	—	BD	—	—	—	—	BD	—	Not Recommended

Front Mount Blower



Blower attached can rotate for left, right or downward discharge.

Front Duct Outlet



Duct transition in front of downdraft to blower installed below the floor line.

Side Single Outlet*



In-cabinet blower placement, left or right side.

Side Single Outlet*



Transition through cabinet to blower installed below the floor line.

Rear Single Outlet*



Remote transition behind the downdraft to blower installed above the floor line.

Rear Single Outlet*



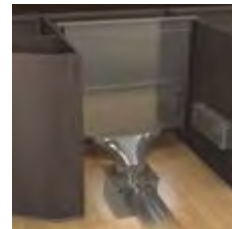
Remote transition behind the downdraft to blower installed below the floor line.

Dual Outlet



Dual transition outlets for use with EB15 Exterior Blower.

Bottom Exhaust



Transition from bottom of downdraft to blower installed below the floor line.

Recirculation



Non-ducted recirculation kit can be located in the toe-kick space.

Installation Recommendations

1. AEWD5 5-foot extension cable for electrical panel: Use two if the panel is mounted more than two feet away from the downdraft.
2. Use front duct outlet and exterior blower EB15 for 48" range-top applications or those with a grill. See page 63.
3. Use dual outlets and the EB15 exterior blower for 48" professional slide-in ranges or ranges with a grill. See page 63.

*Some blower applications may require deeper cabinets. Refer to Installation Instructions.



BEST® Internal blowers provide exceptional performance and comfortable sound levels. Durable construction features meet the needs of professional-style cooking appliances found in today's homes. The table below will help you select a blower matched to the heat output of your range hood. See page 67 for more information on selecting the right blower for your range or cooking style.

Series	P5	P6	PF6 [#]	iQ6	P8	P12	PF12NA	iQ12	P3*	PF3
Type	Internal	Internal	Internal	Internal	Internal	Internal	Internal	Internal	Internal	Internal
Max. Blower CFM	530	650	650	800	950	1300	1300	1500	300	300
Sones at Normal Settings	0.6	2.0	0.8	0.3	1.3	2.25	2.0	0.6	0.3	0.4
Duct Size*	3-1/4"x10"	8" Round	8" Round, 10" Round, 1-7/8"x19"	8" Round	3-1/4"x14"	10" Round	10" Round	10" Round	8" Round	8" Round, 10" Round, 1-7/8" x 19"
Recommended Transition	412H	NA	AVDKD8, AVDKD10	NA	459	NA	NA	NA	NA	AVDKD8, AVDKD10
Duct Direction	Vert. or Hor.	Vert. or Hor.	Vert. or Hor.	Vert. or Hor.	Vert. or Hor.	Vert. or Hor.	Vert. or Hor.	Vert. or Hor.	Vert. or Hor.	Vert. or Hor.
Backdraft Damper	Yes	Yes	No	Yes	Yes	Yes	No	Yes	Yes	No
Amps at 120V	1.8	3	3	3.8	3.4	6	6	7.6	3	3
Motor Type ¹	Single Speed	Single Speed	Four Speed	BLDC	Single Speed	Single Speed	Single Speed	BLDC	Single Speed	Four Speed
Hood Compatibility with Modular Blower	UP26	UP26,** UP27,** WP28, WP29	D49M DC54	UP26,** UP27,** WP28, WP29	UP26 (36", 42" & 48")	WP28, WP29, WPD39M**	WTD9M, CPD9M	WP28, WP29,	UP26,** UP27,** WP28, WP29	DC54

¹ All BEST® blower motors are thermal overload protected.

² As tested in D49M.

[#] Specially designed blower and housing for Cattura and Slot downdrafts.

* For CFM restricted applications capture may be reduced.

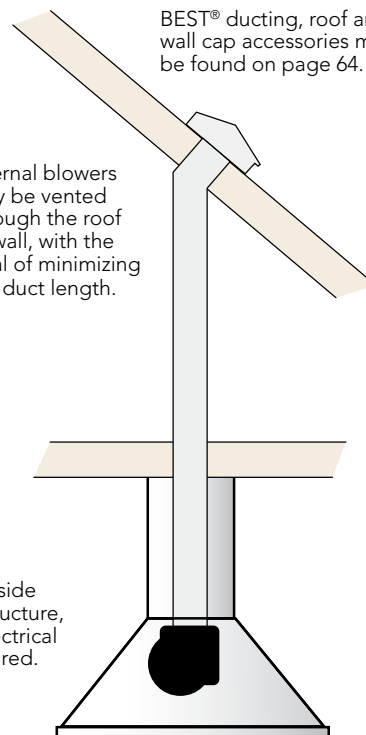
* See Specifications on pages 72-81.

** Vertical duct direction only.

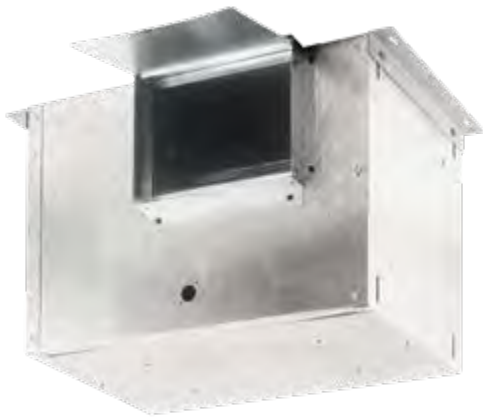
BEST® ducting, roof and wall cap accessories may be found on page 64.

Internal blowers may be vented through the roof or wall, with the goal of minimizing the duct length.

Internal blowers reside within the hood structure, so only a single electrical connection is required.



External In-Line Blowers



BEST® In-line blowers provide exceptional performance and reduced sound levels by moving the blower mechanism away from the point of use. Durable, sealed blowers meet the rigorous needs of professional-style cook tops and ranges. The table below will help you select an in-line blower matched to the heat output of your range hood. See page 67 for more information on selecting the right blower for your range or cooking style.



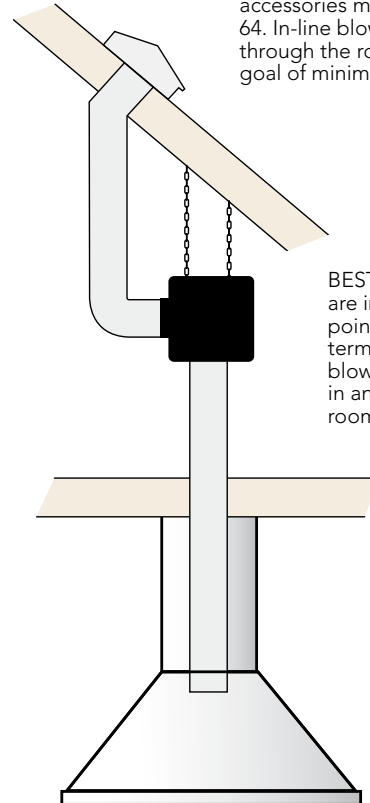
Series	ILB3	ILB6	ILB9	ILB11
Type	In-line	In-line	In-line	In-line
Max. Blower CFM	300	675	900	1500
Unit Dimensions ³ W"x D"x H"	12¼x12¼x11¾	21½x12¼x11¾	22x18x18	22x18x18
Duct Inlet ¹ /Outlet	8" or 10" / 8" round	10" / 10" Round	10" / 10" Round	10" / 10" Round
Duct Direction	Vert. or Hor.	Vert. or Hor.	Vert. or Hor.	Vert. or Hor.
Backdraft Damper	Yes	Yes	Yes	Yes
Amps at 120V	2.7	2.9	3.0	5.0
Motor Type ²	Single Speed	Single Speed	Single Speed	Single Speed
Hood Compatibility ¹ with External Blower	UP26, UP27, WP28, WP29, All EX & E models	UP26, UP27, WP28, WP29, All EX & E models	UP26, UP27, WP28, WP29, All EX & E models	UP26, UP27, WP28, WP29, WPD39M, All EX & E models

¹ Most "EX" & "E" models require a transition (model 414) from 8" to 10" for use with External Blowers. BEST® blowers are designed and UL Certified for use with BEST® products only.

² All BEST® blower motors are thermal overload protected.

³ For more detailed information visit BESTRangeHoods.com

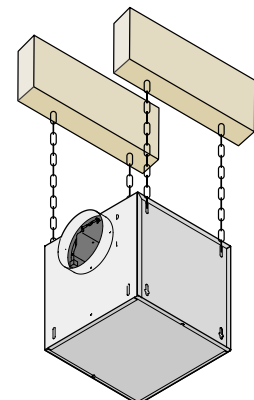
BEST® ducting, roof and wall cap accessories may be found on page 64. In-line blowers may be vented through the roof or wall, with the goal of minimizing the duct length.



BEST® In-line blowers are installed between the point of use and the duct termination point. In-line blowers may be installed in an attic space, utility room or crawl space.

Electrical connections to both the hood and the in-line blower are required.

Suspending the in-line blower with a chain mounting kit (included) is recommended to minimize noise and vibration.



External Exterior Blowers



BEST® Exterior blowers provide exceptional performance and minimal sound levels by moving the blower to an exterior wall or the roof. Exterior blowers will handle the rigorous needs of professional-style cook tops and ranges. Durable, sealed blower housings are crafted from weather-resistant aluminum and can be painted to match the roof or wall color scheme. The table below will help you select an exterior blower matched to the heat output of your range hood. See page 67 for more information on selecting the right blower for your range or cooking style.

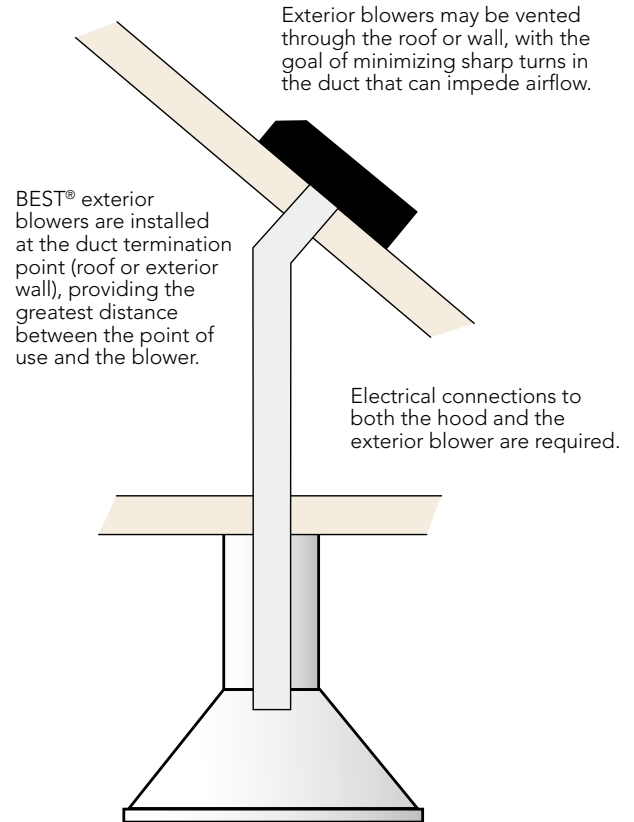
Series	EB6	EB9	EB12	EB15
Type	Exterior	Exterior	Exterior	Exterior
Max. Blower CFM	665	890	1300	1650
Duct Size ¹	10" Round	10" Round	10" Round	10" Round
Duct Direction	Vertical*	Vertical*	Vertical*	Vertical*
Backdraft Damper ²	Yes	Yes	Yes	Yes
Amps at 120V	2.4	5.7	3	4.3
Motor Type ³	Single Speed	Single Speed	Single Speed	Single Speed
Hood Compatibility ¹ with External Blower	UP26, UP27, WP28, WP29, All EX & E models	UP26, UP27, WP28, WP29, All EX & E models	UP26, UP27, WP28, WP29, WPD39M, All EX & E models	UP26, UP27, WP28, WP29, WPD39M, All EX & E models

¹ Most "EX" & "E" models require a transition (model 414) from 8" to 10" for use with External Blowers. BEST® blowers are designed and UL Certified for use with BEST® products only.

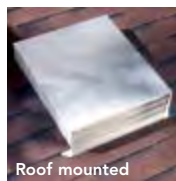
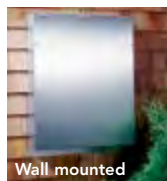
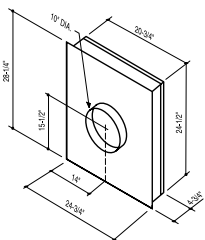
² In cold climates, a separate In-line damper (model 421) is recommended.

³ All BEST® blower motors are thermal overload protected.

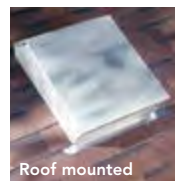
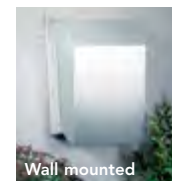
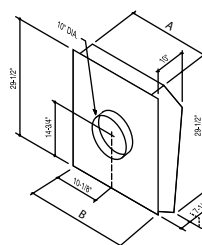
* Exterior Blower duct connection can be attached to the back (horizontal) of the WP28 and WP29.



EB6 and EB9



























EB12 and EB15

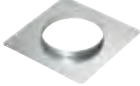
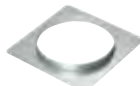




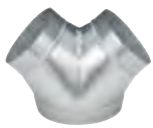


Model	Width "A"	Width "B"
EB12	22"	18"
EB15	25"	21"

BEST® ductwork accessories are matched to our range hood requirements. These elbows, extensions and duct transition accessories ensure proper air flow and volume requirements. Refer to individual product requirements for more details.

412H  3-1/4" x 10", to 7" round, vertical	413  3-1/4" x 10", to 8" round, vertical	459  3-1/4" x 14", to 8" round, vertical	414  8" to 10" round	472  10" to 8" round reducer	T486  8" to 6" round reducer	421  10" In-Line damper Install only into vertical duct section	
437  Roof, 10" round, black	441  Wall 10" round, paintable	634  Roof, 6" to 8" round, or 3-1/4" x 10", black	639 (WC638)  Wall, 3-1/4" x 10", aluminum (Wall, 3-1/4" x 14", painted black)	641  Wall, 6", aluminum	610FA  10" fresh air duct	643FA  8" fresh air duct	
641FA  6" fresh air duct	643  Wall, 8", aluminum	647  Wall, 7", aluminum					
Elbow Model				Duct Model			
419  6" round	415  7" round	432  8" round elbow	418  10" round	406  6" round, smooth, 2' section	407  7" round, smooth, 2' section	408  8" round, smooth, 2' section	410  10" round, smooth, 2' section

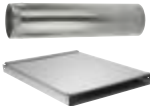







BEST® Cattura™ DOWNDRAFT DUCTING ACCESSORIES

Front Panels		Rectangle	Transitions		Rectangular Adaptor	"Y" transition
ACVPD8  8" round	ACVPD10  10" round	AEDD2  17/8" x 19"; 2' section	AVDKD8  17/8" x 19" to 8" round	AVDKD10  17/8" x 19" to 10" round	AVDKD219  17/8" x 19"	AVDKD8810  2 x 8" round & 10" round

Duct Length Estimator

The ductwork system can have a significant impact on product performance. To simplify estimating and total duct length, use this duct estimation table for every installation. Capture job-specific information in the two right columns to ensure you account for all materials and accurately estimate the equivalent duct length.

Duct Length Estimator*

Duct Type	Duct Variations	Equivalent Length (L)	Quantity (or Length)	Total Length (Equivalent L x QTY)
1' Straight Duct; Round or Rectangular (any dimension)		Smooth	1'	
		Flex (or not smooth)	2.5'	
90° Round Elbow (any dimension)		Good (5 section)	7'	
		Bad (3 section)	17'	
45° Round Elbow (any dimension)		Good (3 section)	4'	
		Bad (mitered)	11'	
90° Rectangular Elbow (3-1/4" x 10" or 14")		Good (smooth)	4'	
		Bad (mitered)	24'	
45° Rectangular Elbow (3-1/4" x 10" or 14")		Good (smooth)	3'	
		Bad (mitered)	9'	
Round (R) to Rectangular Transition		6" (R) to 3-1/4" x 10"	1'	
		3-1/4" x 10" to 6" (R)	4'	
		6" (R) to 3-1/4" x 14"	4'	
		3-1/4" x 14" to 6" (R)	14'	
		8" (R) to 3-1/4" x 10"	4'	
		3-1/4" x 10" to 8" (R)	2'	
		8" (R) to 3-1/4" x 14"	2'	
3-1/4" x 14" to 8" (R)	1'			
Round to Round Transition		6" to 8"	4'	
		8" to 6"	5'	
		8" to 10"	3'	
		10" to 8"	6'	
Roof or Wall Cap (any duct size)		Average	25'	
Total				

* This duct length estimator assumes use of duct size equivalent to the duct outlet on the range hood. Reducing duct size will increase equivalent duct length significantly which reduces product performance.

Make-up Air Dampers



BEST® Automatic Make-Up Air Dampers are the first to provide synchronized operation for kitchen, bath and whole-house ventilation products. Installation is simple and requires no special wiring. Intelligent design options ensure optimum x in a variety of installations and applications. Highly effective and affordable, BEST Automatic Make-Up Air Dampers strike the perfect balance to keep you and your home breathing easy.

Online Range Hood Make-Up Air Specifying Tool guides the design of the right make-up air damper system for any home.

Try it at BESTRangeHoods.com

- Economical, ruggedly constructed galvanized motorized damper.
- Can be controlled by more than one BEST ventilation product.
- Damper opens automatically to replace the air being exhausted by ventilation fans or range hoods, and then closes tightly when ventilation fans are turned off.
- Prevents excess air from entering the home during heating or cooling calls, reducing energy consumption.
- Interlocked systems meet IRC code requirements for make-up air with range hoods.

MD6TU/MD8TU/MD10TU Universal Design.

Works with any BEST range hood over 300 CFM.

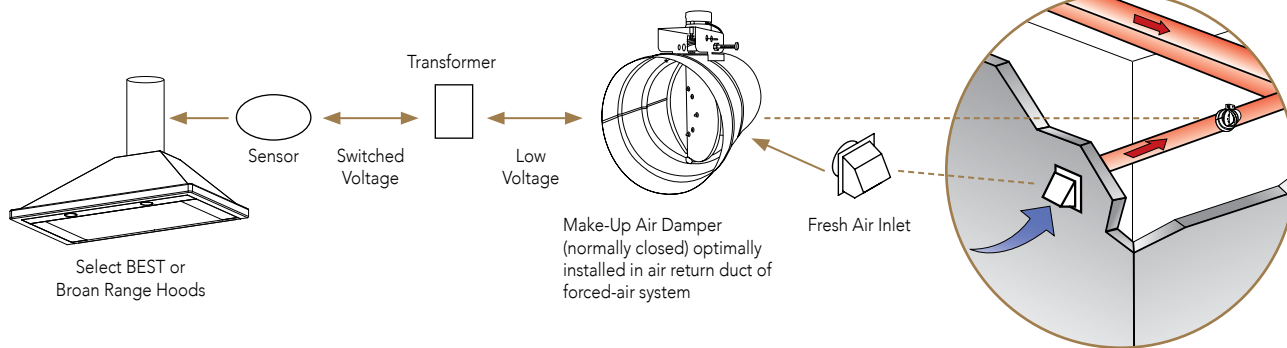
Provides interlocked make-up air without requiring a direct wire connection.

MD6T/MD8T/MD10T.

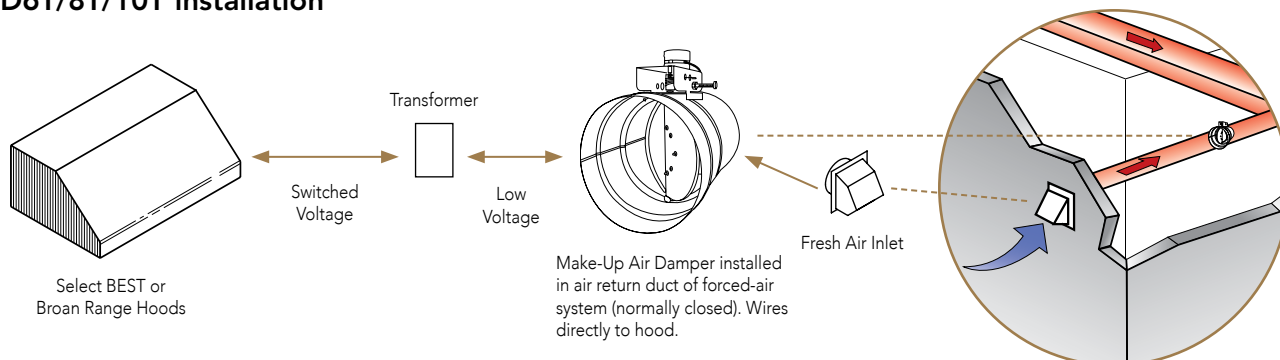
Balances indoor air pressure by providing make-up air for select BEST range hoods. Requires direct wire to hood.

641FA/643FA/610FA Inlets. Fresh air inlets in 6", 8" or 10" models are required to bring outdoor air in from the outside.

MD6TU/8TU/10TU installation



MD6T/8T/10T installation



Consider Ventilation First

Consider ventilation requirements first when designing the kitchen to simplify duct installation and application issues. Remember that ventilation removes the airborne particles to the outdoors. Recirculation filters catch some particles in the immediate cooking area, but vapors and moisture remain inside the house.

Observe and Address Cross-Currents

Cross-currents can affect range hood capture ability. Windows, patio doors, ceiling fans, forced heating registers and garage entry doors are prime sources of cross-currents. Design in features that block cross-currents from moving directly over the cooking surface to improve range hood effectiveness.

Range Hood Ducting

Start by selecting a termination point on the roof or wall and create the shortest possible duct path with fewest turns back to the hood location(s). Keep in mind bigger duct is better. Next determine what the largest duct size is without constriction. Now consider hoods with this size (or area) duct connection. Smaller ducting will sacrifice performance and increase sound levels. When planning termination at the hood note that some hoods allow duct attachment through the top or back of the hood.

To Achieve Peak Exhaust Rates at the Lowest Sound Levels

- Never make the size or area of the ductwork smaller than the size that originates at the hood.
- Bigger ductwork is better.
- Keep duct length less than 50 linear feet.
- Minimize use of elbows and transitions (4 or less).
- Always separate 90° elbows with at least 2 feet of straight ductwork.
- When using a remote exterior blower, using one 90° elbow will reduce noise transmission into the hood.
- Place transitions at least 1 foot from the hood outlet or remote blower inlet.

Sizing the Range Hood

Use the following guidelines to help determine sizing:

Determine if the cooking equipment will be conventional (cooktop less than 60,000 BTU) or high performance (over 60,000 BTU)

To reach a starting point use the following formulas or use the cooktop manufacturer's recommendation:

Under 60,000 BTU: 100 CFM per foot of cooktop width. Example: 36" wide wall application indicates a need for 300 CFM.

Over 60,000 BTU: 1 CFM for each 100 BTU output of the cooktop. Example: 60,000 BTU indicates a need for 600 CFM.

If there is a grill or griddle in the cooktop add 200 CFM to the estimate. Example: 60,000 BTU = 600 CFM + 200 CFM for grill = total 800 CFM.

For island installation, more CFM is needed. For conventional cooktops use 150 CFM per foot of cooktop, and for high performance cooktops add 100 CFM to the estimate.

For the quietest possible operation, choose a model with the highest CFM, even if it is more than needed. This will allow the hood to be operated at lower normal speeds where sound can be 50% quieter with appropriate duct size.

Determining Adequate Capture Capability

The capture area of the range hood is typically defined by the outer most perimeter of the hood bottom. The "SUMP" is the inverted area of the hood bottom that acts like a container to hold the inrush of heat and smoke until the blower can drain it away, preventing smoke from spilling over the edge. If at all possible, select range hood designs that have at least a 1" deep sump. For high-performance cooktops select a model with an increased sump size. If that is not possible, increase the CFM.

Key Concepts and Terms

Sones: A common unit of measurement for noise. It is used to rate ventilation fans in a manner that corresponds to the way people sense loudness

The average conventional range hood is rated at 6.0–7.0 Sones.

~4 sones is comparable to everyday conversation

The number one reason most people do not use the range hood is noise.

<1.0 sones is comparable to a quiet refrigerator

<0.3 sones is the quietest sone rating obtainable—it is comparable to calm breathing

Unit Dimensions in This Catalog

When designing aesthetic complements to your BEST® range hood (custom cabinetry, tile, shelving, etc.) or aligning permanently affixed elements before the range hood is installed, be sure to have the product in hand first in order to double-check measurements and positioning. Unit dimensions for products in this catalog are subject to normal manufacturing tolerances.



Designed for Flexibility

Meet code. Save time and money. Expand design flexibility. Our Code Ready Technology allows for uncompromised performance and design. Code Ready Technology is a feature offered in BEST products with iQ6 and select HP blowers. This technology allows the freedom for an installer to set the maximum blower speed to achieve the right level of performance, offering another solution to address local codes or make-up air requirements. CRT technology provides this option as another way to enjoy the performance you expect from a BEST™ range hood.

Determining Range Hood Coverage

At a minimum, the range hood width should extend to the width of the cooktop, and cover 100% of the back burners and 50% of the front burners. Range hoods can be wider and deeper, and in some places it is code to have the width of the hood extend 6" greater than the cooking surface. For more effective coverage, install the hood at the lowest recommended height.



- A. Height: 24"–30" above the cooking surface is typical.
- B. Width: Minimum hood width should match the width of the cooktop.
- C. Depth: Minimum hood depth should cover 100% of the back burners, and 50% of the front burners.

Installation Height

All range hoods have a recommended range of installation height over the cooking surface. The lowest level is the distance the hood was safety tested for by UL. The upper limit is a recommendation that will provide satisfactory capture. If the hood is installed below the lower limit it could cause damage to the hood and an inspector could force a reinstallation. Going above the upper limit is the installer's choice and will have no effect on the hood, but may result in reduced capture of smoke. If the hood is above the upper limit, add 100 CFM for every 3" above the recommended height, and increase the width of the hood so it extends 6" beyond the cooktop.

Technical/Installation Documentation

Technical and installation documents are available online at BESTRangeHoods.com, or through our Customer Service Department at 800-558-1711.

Reversible Telescopic Flues

Some BEST® range hoods have reversible flues with slots on one end, allowing for non-ducted installations. Air that passes through the mesh and charcoal filters recirculates into the kitchen. In ceiling installations over 8' the slots may be visible, depending on how far the telescopic flue is extended.

Contact Tech Support at 800-637-1453 for details.

Flue Extensions

Optional flue extensions for up to 11' ceiling applications are available for most Chimney and Island range hoods. For Professional-Style hoods, a soffit flue adds vertical height to the top of the hood.

Chimney Flue Extensions

- Seamless construction.
- Designed for ducted applications unless specifically noted.
- Hood matching finishes.
- Replaces the upper section of standard flue extension that comes with hood.
- Island flue extensions also include an upper skeleton for mounting to the ceiling.



Range Hood Filters

Filtration keeps more of the grease by-products out of the hood and duct system and in the filter, which can be removed and easily cleaned in the dishwasher. Baffle filters are good choices for grilling or frying, but must be operated at high speed to get the best filtering results. Mesh filters work well regardless of the hood speed, allowing effective, quiet operation. New mesh lined Hi-Flow filters combine baffle and mesh features for the best of both worlds.

Charcoal Filters

Non-ducted, re-circulating installations require charcoal filters. These filters help trap cooking aromas and need to be replaced on a regular basis, depending on your cooking style.

Select the re-circulating kit from the matrix, and order your replacement filters through your BEST® dealer or online at BESTRangeHoods.com.

Product Usage

BEST® range hoods are designed for use with indoor residential cooking products, except when noted for outdoor use, but are not for use with charcoal grills of any kind.

Stainless Steel Types

BEST® range hoods utilize two stainless steel grades: corrosion resistant stainless steel is recommended for protected outdoor applications, and installations along saltwater coastal areas. This type of stainless steel resists the effects of corrosive environments. Brushed stainless steel is suitable for all interior installations.

Performance Testing

This product was tested by Broan for airflow performance using the ANSI/AMCA 210 Standard, which is equivalent to the Home Ventilating Institute HVI 916—Procedure for Air Flow Testing, and tested for sound performance using the ANSI S12.51 Standard, which is equivalent to the Home Ventilating Institute HVI 915—Procedure for Loudness Rating of Residential Fan Products.



Limited 5/2 Warranty

BEST is committed to ensuring satisfaction with your new range hood. To help keep things in proper working order, BEST is offering a 5-year parts, 2-year labor limited warranty. See full terms and conditions at bestrangehoods.com/warranty



UL listed. (Underwriters Laboratories tested and approved).



Evaluated by UL to Canadian Standard C22.2 NO. 113.



Advancing the Value of Residential Ventilation for Healthier Living.

The Home Ventilating Institute is an independent laboratory that certifies the performance of North American Home Ventilating products. Please refer to their website at www.hvi.org for additional information and access to complete HVI certified products listing.

All HVI certified hoods are tested in a standard installation environment using a 10' ducting, a 90-degree elbow and a damper. All customers have the guarantee that their range hood will provide the power and performance they need as it has been tested by an independent laboratory. If a range hood is not HVI certified, there are no guarantees regarding its performance when the hood is on.

This feature is one of the most significant advantages of Broan Group products, since no other manufacturers can provide the breath of products with HVI certification that our brands have.

For more information on HVI ratings for each of our hood products, please refer to its specification sheet available at bestrangehoods.com.

BEST® is a registered trademark of Broan®, a proud member, in good standing, of the Home Ventilating Institute.



Island Range Hood Specifications

MODEL	PAGE	DIMENSIONS		FINISH ¹		LIGHTING				
		Width	Depth	Standard	Special Order	Type	Qty	Levels	Included	
ISLAND	IBF4I	39	35-7/16" (36" in catalog)	23-5/8"	430 SS	No	Halo, Type JC	4	1	Yes
	IC34E	38	39-3/8"	27-5/8"	430 SS	No	LED 6W	4	1	Yes
	IC34IQ	38	39-3/8"	27-5/8"	430 SS	No	LED 6W	4	1	Yes
	IPB9E	35	48"	27"	430 SS	No	Halo., G9-25W	4	2	Yes
	IPB9IQT	35	48"	27"	430 SS	No	Halo., G9-25W	4	2	Yes
	IPP9E	36	42"	30"	430 SS	No	Halo., G4-25W	4	2	Yes
	IPP9IQT	36	42"	30"	430 SS	No	Halo., G4-25W	4	2	Yes
	ICB3	37	36"	22"	430 SS	No	LED 5.5W	2	3	Yes

MODEL	PAGE	NON-DUCT			ACCESSORIES				
		Capability	Recirculating Flue	Recirculating Kit ³	Flue Extension	Backsplash	Liners	Deco Trim	
ISLAND	IBF4I	39	Yes	Included	ANKIBF4	90986	NA	NA	No
	IC34E	38	No	No	No	AEIC34SB	No	NA	No
	IC34IQ	38	No	No	No	AEIC34SB	No	NA	No
	IPB9E	35	No	No	No	AEIPB9SB	No	NA	No
	IPB9IQT	35	No	No	No	AEIPB9SB	No	NA	No
	IPP9E	36	No	No	No	AEIPP9SB	No	NA	No
	IPP9IQT	36	No	No	No	AEIPP9SB	No	NA	No
	ICB3	37	No	No	No	AEICB3SB	No	NA	No

1. Finish Abbreviations: 304 SS = 304 Professional Grade Brushed Stainless Steel, 316 SS = 316 Marine Grade Brushed Stainless Steel, 430 SS = 430 Standard Grade Brushed Stainless Steel (430 stainless steel finish is not recommended for installations along saltwater coastal areas).
3. Recirculating kits are necessary to make some models ready for non-ducted operation.

CONTROL ²			FILTER	BLOWER	HOOD PERFORMANCE				
Type	Feature	Remote	Standard	Type	MAX Blower CFM	High CFM/Low CFM	CFM Reducer Kit	CRT	Sones Low/High
3-S EPB	DO	No	Alum Mesh	Internal	400	400/190	No	No	2.5/8.5
4-S EPB	HS, DO, FT	Opt. ACR3	Mesh	Exterior, In-line	See EB6, 9, 12, 15 See ILB3, 6, 9, 11		No	Yes	—
4-S EPB	HS, DO, FT	Opt. ACR3	Mesh	iQ6	800	525/120	No	Yes	0.3/8.0
3-S+Boost EPB w/LED DSP	HS, DO, FT	Opt. ACR3	Hi-Flow Baffle	Exterior, In-line	See EB6, 9, 12, 15 See ILB3, 6, 9, 11		No	No	—
3-S+Boost EPB w/LED DSP	HS, DO, FT	Opt. ACR3	Hi-Flow Baffle	iQ12	1500	1200/330	No	No	1.0/8.5 (B-12)
3-S+Boost EPB w/LED DSP	HS, DO, FT	Opt. ACR3	Hi-Flow Baffle	Exterior, In-line	See EB6, 9, 12, 15 See ILB3, 6, 9, 11		No	No	—
3-S+Boost EPB w/LED DSP	HS, DO, FT	Opt. ACR3	Hi-Flow Baffle	iQ12	1500	1100/295	No	No	0.4/7.5 (B-11.5)
4-S Soft Touch	HS, DO	Opt. ACR3	Hybrid Baffle	Internal	650	580/210	No	Yes	1.5/11.5

	ELECTRIC		DUCT		BACKDRAFT DAMPER	MOUNTING HEIGHT ABOVE COOKTOP ⁵		
	Amps @ 120V	Connection	Size at hood ⁴	Direction		8' ceiling	9' ceiling	10' Ceiling with Flue Ext. ⁶
3.3 Max	Direct	6"	V	Included	24"-36"	24"-36"	—	
7	Direct	8"	V	Included w/ blower	24"-27"	27"-36"	24"-36" §	
4.3	Direct	8"	V	Included	24"-27"	27"-36"	24"-36" §	
7	Direct	10"	V	Included w/ blower	24"-27"	27"-36"	24"-34" §	
8.5	Direct	10"	V	Included	24"-27"	27"-36"	24"-34" §	
7	Direct	10"	V	Included w/ blower	24"-27"	27"-36"	24"-34" §	
8.5	Direct	10"	V	Included	24"-27"	27"-36"	24"-34" §	
3.3	Plug In	8"	V	Included	30"-34"	30"-36"	30"-36" §	

2. Control Abbreviations: ASC = Automatic Sensor Control, AR = Air Refresh, HS = Heat Sentry™, FT = Filter Timer, DO = Delay-Off, LS = Light Sensor, PB = Pushbutton, EL = Electronic, EPB = Electronic Pushbutton, DSP = Display, VS = Variable Speed, S = Speed, B = Boost, LCD = Liquid Crystal Display, LED = Light Emitting Diode.

4. Damper/Adapter is included with products in the duct size indicated for hoods using external blowers. See pages 66-67 for duct size, may require transition to 10".

5. Range of recommended mounting heights above the cooking surface (assumes cooktop to be 36" above floor). The distance above a cooktop must not be less than 24" unless otherwise noted.

6. Chimney and Island Hoods require optional flue extension for 10' or 11' ceiling.

+ The telescopic flue or device will allow installations at mounting heights greater than the indicated limit.

§ = Flue extension designed for 10'-11' ceiling application.

Chimney Range Hood Specifications

MODEL	PAGE	DIMENSIONS		FINISH ¹		LIGHTING			
		Width	Depth	Standard	Special Order	Type	Qty	Levels	Incl.
WCB3	29	30", 36"	20-3/4"	430 SS	No	LED 5.5W	2	3	Yes
WBF4I	28	30", 36"	19-3/4"	430 SS	No	Halo, Type JC, 12V, 20W Max	2	1	Yes
WC34E	30	35-7/16"	18-1/8"	430 SS	No	LED 6W	2	1	Yes
WC34IQ	30	35-7/16"	18-1/8"	430 SS	No	LED 6W	2	1	Yes
WC35E	31	35-7/16"	18-3/8"	430 SS	No	LED 6W	2	1	Yes
WC35IQ	31	35-7/16"	18-3/8"	430 SS	No	LED 6W	2	1	Yes
WC45E	32	35-7/16"	17-11/16"	430 SS w/clear glass	No	LED 6W	2	1	Yes
WC45IQ	32	35-7/16"	17-11/16"	430 SS w/clear glass	No	LED 6W	2	1	Yes
WCN1	26	30", 36"	20"	430 SS	No	LED 6W	2	3	Yes
WCP3	27	30", 36"	20"	430 SS	No	LED 4.5W	2	2	Yes
WPB9	24	47-1/4" (48" in catalog)	24"	Brushed SS	No	Halo, T4, G9-25W	4	2	Yes
WPP9E	23	36", 42" (48", 54")	24"	430 SS	No	Halo., G9-25W	3 (4)	2	Yes
WPP9IQ	23	36", 42"	24"	430 SS	No	Halo., G9-25W	3	2	Yes
WPP9IQT	23	36", 42" (48", 54")	24"	430 SS	No	Halo., G9-25W	3 (4)	2	Yes
WTT32I	25	30", 36" (42")	22"	430 SS	No	Halo., GU10-50W	2 (3)	3	Yes
WTT32I	25	48"	22"	430 SS	No	Halo., GU10-50W	3	3	Yes

CHIMNEY

MODEL	PAGE	NON-DUCT			ACCESSORIES			
		Capability	Recirculating Flue	Recirculating Kit ³	Flue Extension	Backsplash	Liners	Deco Trim
WCB3	29	NA	No	No	AEWCB3SB	No	No	No
WBF4I	28	Yes	Included	ANKWBF4	No	NA	NA	No
WC34E	30	NA	No	No	AEWC345IQSB	No	NA	No
WC34IQ	30	Yes	Included	ANKWC345	AEWC345IQSBN	No	NA	No
WC35E	31	NA	No	No	AEWC345IQSB	No	NA	No
WC35IQ	31	Yes	Included	ANKWC345	AEWC345IQSBN	No	NA	No
WC45E	32	NA	No	No	AEWC345IQSB	No	NA	No
WC45IQ	32	Yes	Included	ANKWC345	AEWC345IQSBN	No	NA	No
WCN1	26	Yes	Included	ANKWCN1	AEWCN1SS	No	NA	No
WCP3	27	Yes	No	HRKBSS	AEWCP3SB	No	No	No
WPB9	24	Yes	AEWPB9SBN	ANKWPB9	AEWPB9SB	No	No	No
WPP9E	23	NA	No	No	AEWPP9SB	No	NA	No
WPP9IQ	23	Yes	Included	ANKWPP9 (iQ6)	AEWPP9SB	No	NA	No
WPP9IQT	23	NA	No	No	AEWPP9SB	No	NA	No
WTT32I (30", 36", 42")	25	Yes	Included	ANKWTT320 (30") ANKWTT326 (36", 42")	AEWTT32SB	No	NA	No
WTT32I (48")	25	NA	No	No	AEWTT328SB	No	NA	No

CHIMNEY

1. Finish Abbreviations: 304 SS = 304 Professional Grade Brushed Stainless Steel, 316 SS = 316 Marine Grade Brushed Stainless Steel, 430 SS = 430 Standard Grade Brushed Stainless Steel (430 stainless steel finish is not recommended for installations along saltwater coastal areas)

3. Recirculating kits are necessary to make some models ready for non-ducted operation.

** FEXTK34SS is a ducted extension. FEXTK34SSN is a non-ducted extension.

CONTROL			FILTER	BLOWER	HOOD PERFORMANCE					
Type	Feature ²	Remote	Standard	Type	MAX Blower CFM	High CFM/Low CFM	CFM Reducer Kit	CRT	Sones Low/High	
4-S Soft Touch	HS, DO	No	Hybrid Baffle	Internal	650	600/200	No	Yes	1.4/10.5	
3-S EPB	DO	No	Alum Mesh	Internal	400	400/190	No	No	2.5/8.5	
4-S EPB	HS, DO, FT	Opt. ACR3	Mesh	Exterior, In-line	See EB6, 9, 12, 15 See ILB3, 6, 9, 11		No	Yes	—	
4-S EPB	HS, DO, FT	Opt. ACR3	Mesh	iQ6	800	500/120	No	Yes	0.3-4.5 (B-7.5)	
4-S Capacitive Glass	HS, DO, FT	Opt. ACR3	Mesh	Exterior, In-line	See EB6, 9, 12, 15 See ILB3, 6, 9, 11		No	Yes	—	
4-S Capacitive Glass	HS, DO, FT	Opt. ACR3	Mesh	iQ6	800	500/120	No	Yes	0.3-4.5 (B-7.5)	
4-S Elec IR Infrared	HS, DO, FT	Opt. ACR3	SS Mesh	External, In-line	See EB6, 9, 12, 15 See ILB3, 6, 9, 11		No	Yes	—	
4-S Elec IR Infrared	HS, DO, FT	Opt. ACR3	SS Mesh	iQ6	800	500/120	No	Yes	0.3/7.5	
4-S Cap Touch	DO	No	Decorative Mesh	Internal	685	600/160	No	Yes	0.9/11.0	
3-S Cap Touch	HS, FT	No	Hybrid Baffle	Internal	650	550/200	ARP6, ARP310	No	1.5/11	
3-S+Boost EPB w/LED DSP ³	HS, DO, FT	Opt. ACR3	Hi-Flow Baffle	iQ12	1500	1200	No	No	0.6/11.0	
3-S+Boost EPB w/LED DSP	HS, DO, FT	Opt. ACR3	Hi-Flow	External, In-line	See EB6, 9, 12, 15 See ILB3, 6, 9, 11		No	Yes	—	
3-S+Boost EPB w/LED DSP	HS, DO, FT	Opt. ACR3	Hi-Flow	iQ6	800	600/140	No	Yes	0.3/5.5 (B-8.5)	
3-S+Boost EPB w/LED DSP	HS, DO, FT	Opt. ACR3	Hi-Flow	iQ12	1500	1100/295	No	No	0.6/8.5 (B-10.5)	
4-S, EPB	HS	No	SS Mesh	Internal	675	600	No	No	9.5	
4-S, EPB	HS	No	SS Mesh	Internal	1275	1200	No	No	12	

	ELECTRIC		DUCT		BACKDRAFT DAMPER	MOUNTING HEIGHT ABOVE COOKTOP ⁵		
	Amps @ 120V	Connection	Size at Hood ⁴	Direction		8' Ceiling	9' Ceiling	10' Ceiling with Flue Ext. ⁶
3.3	Plug In		3-1/4"x10"	V	Included	24"-33"	24"-36"	24"-36" §
3.3 Max	Cord		6"	V	Included	24"-36"	24"-36"	N/A
7.0 Max	Plug In		8"	V	Included w/ blower	24"-30"	24"-30"	24"-30" §
4	Plug In		8"	V	Included	24"-30"	24"-30"	24"-30" §
7.0 Max	Plug In		8"	V	Included w/ blower	24"-30"	27"-30"	24"-30" §
4	Plug In		8"	V	Included	24"-30"	27"-30"	24"-30" §
7.0 Max	Plug In		8"	V	Included w/ blower	24"-30"	24"-30"	24"-30" §
4	Plug In		8"	V	Included	24"-30"	24"-30"	24"-30" §
3.9	Plug In		8"	V	Included	24"-30"	27"-30"	24"-30" §
3.9	Plug In		6", 3-1/4"x10"	V/H	Included	24"-30"	24"-30"	24"-30"
8.4	Direct		10"	V	Included	24"-36"	24"-36"	24"-36"
7.0 Max	Direct		10"	V	Included w/ blower	24"-32"	30"-36"	24"-33" §
4.5	Direct		8"	V	Included	24"-32"	30"-36"	24"-33" §
8.5	Direct		10"	V	Included	24"-27"	27"-36"	24"-34" §
5.0 Max	Plug In		8"	V	Included	24"-30"	30" +	24"-30"
8.5	Plug In		10"	V	Included w/ blower	24"-30"	30" +	24"-30"

2. Control Abbreviations: ASC = Automatic Sensor Control, AR = Air Refresh, HS = Heat Sentry™, FT = Filter Timer, DO = Delay-Off, LS = Light Sensor, PB = Pushbutton, EL = Electronic, EPB = Electronic Pushbutton, DSP = Display, VS = Variable Speed, S = Speed, B = Boost, LCD = Liquid Crystal Display, LED = Light Emitting Diode.

4. Damper/Adapter is included with products in the duct size indicated for hoods using external blowers. See page 64 for duct size, may require transition to 10".

5. Range of recommended mounting heights above the cooking surface (assumes cooktop to be 36" above floor). The distance above a cooktop must not be less than 24" unless otherwise noted.

6. Chimney and Island Hoods require optional flue extension for 10' or 11' ceiling.

+ The telescopic flue or device will allow installations at mounting heights greater than the indicated limit.

§ = Flue extension designed for 10'-11' ceiling application.

Pro Style & Outdoor Range Hood Specifications

MODEL	PAGE	DIMENSIONS		FINISH ¹		LIGHTING				
		Width	Depth	Standard	Special Order	Type	Qty	Levels	Incl.	
PROFESSIONAL	UP26	48	30", 36" (42", 48")	22"	430 SS	No	Halo., MR16; GU10-50W	2 (4)	2	Yes
	UP27	50	30", 36" (42", 48")	22"	304 SS	No	Halo., MR16; GU10-50W	2 (4)	Var.	Yes
	WP28	47	30", 36", 42", 48" (54", 60")	24"	430 SS	No	Halo., MR16; GU10-50W	2 (4)	2	Yes
	WP29	49	30", 36", 42" (48", 54", 60")	24"	304 SS	No	Halo., MR16; GU10-50W	4 (6)	Var.	Yes

MODEL	PAGE	NON-DUCT			ACCESSORIES				
		Capability	Recirculating Flue	Recirculating Kit ³	Flue Extention	Backsplash	Liners	Deco Trim	
PROFESSIONAL	UP26	48	NA	NA	NA	NA	RMP	NA	NA
	UP27	50	Yes	Sold separately	ANKUP	NA 2-1/2"–Recirc	NA	NA	NA
	WP28	47	NA	NA	NA	AEWP28	RMP	NA	NA
	WP29	49	Yes	Sold separately	ANKWP	AEWP 6" and 12" Tall, ANKWP 6"–Recirc	NA	NA	NA

MODEL	PAGE	DIMENSIONS		FINISH ¹		LIGHTING				
		Width	Depth	Standard	Special Order	Type	Qty	Levels	Included	
OUTDOOR	WPD39M	54	36" (48", 60")	30"	304 SS	No	Halo., MR16; GU10-50W	2 (3)	2	Yes
	WPD38I	53	36" (48", 60")	27"	304 SS	No	Halo., MR16; GU10-50W	2 (3)	1	Yes
	WTD9M	55	36", 42", 48"	30"	304 SS	No	Halo., MR16; GU10-50W	2	1	Yes
	CPD9M	56	36", 42", 48"	28-3/8"	304 SS	No	Halo., MR16; GU10-50W	2	1	Yes
	CPD	57	36" (48", 60")	22-1/2"	304 SS	No	Halo., MR16; GU10-50W	2 (3)	2	Yes

MODEL	PAGE	NON-DUCT			ACCESSORIES				
		Capability	Recirculating Flue	Recirculating Kit ³	Flue Extention	Backsplash	Liners	Deco Trim	
OUTDOOR	WPD38I	54	NA	NA	NA	AEWPD; Wall Ext AWWPD	NA	NA	NA
	WPD39M	53	NA	NA	NA	AEWPD; Wall Ext AWWPD	NA	NA	NA
	WTD9M	55	No	No	No	See Pg. 55	NA	NA	NA
	CPD9M	56	No	No	No	NA	NA	NA	NA
	CPD	57	No	No	No	NA	NA	NA	NA

1. Finish Abbreviations: 304 SS = 304 Professional Grade Brushed Stainless Steel, 316 SS = 316 Marine Grade Brushed Stainless Steel, 430 SS = 430 Standard Grade Brushed Stainless Steel (430 stainless steel finish is not recommended for installations along saltwater coastal areas).
 3. Recirculating kits are necessary to make some models ready for non-ducted operation.

CONTROL			FILTER	BLOWER	HOOD PERFORMANCE				
Type	Feature ²	Remote	Standard	Type	MAX Blower CFM	High CFM/Low CFM	CFM Reducer Kit	CRT	Sones Low/High
VS Rotary with Memory	HS	No	Hi-Flow Baffle	Internal, Exterior, In-line	See iQ6, P3, P5, P6, P8; EB6, 9, 12, 15 or ILB3, 6, 9, 11	ARP310 (P5 blower only)	Yes	—	
VS Rotary with Memory	HS	No	Hi-Flow Baffle	Internal, Exterior, In-Line	See iQ6, P3, P5, P6, P8; EB6, 9, 12, 15 or ILB3, 6, 9, 11	NA	Yes	—	
VS Rotary with Memory	HS	No	Hi-Flow Baffle	Internal, Exterior, In-line	See iQ6, iQ12, P6, P12; EB6, 9, 12, 15 or ILB3, 6, 9, 11	NA	Yes	—	
VS Rotary with Memory	HS	No	Hi-Flow Baffle	Internal, Exterior, In-line	See iQ6, iQ12, P3, P6, P12; EB6, 9, 12, 15 or ILB3, 6, 9, 11	NA	Yes	—	

ELECTRIC		DUCT		BACKDRAFT DAMPER	MOUNTING HEIGHT ABOVE COOKTOP ⁵		
Amps @ 120V	Connection	Size at Hood ⁴	Direction		8' Ceiling	9' Ceiling	10' Ceiling with Flue Ext. ⁶
7.7 Max	Direct	See Blower Selection	V & H (P5 & P8)	Included w/ blower	24"–30" +	NA	NA
7.7 Max	Direct	See Blower Selection	V	Included w/ blower	24"–30" +	NA	NA
8.5 Max	Direct	See Blower Selection	V & H	Included w/ blower	24"–36" +	NA	NA
8.5 Max	Direct	See Blower Selection	V & H	Included w/ blower	24"–36"	NA	NA

CONTROL ²			FILTER	BLOWER	HOOD PERFORMANCE				
Type	Feature	Remote	Standard	Type	MAX Blower CFM	High CFM/Low CFM	CFM Reducer Kit	CRT	Sones Low/High
VS Rotary with Memory	HS	No	304 SS Baffle and grease rail	Internal	See P12, EB12, 15 or ILB11	NA	No	2.25/12.0	
4-S, Rotary	HS	No	304 SS Baffle	Internal	1300	1160	NA	No	11
VS Rotary with Memory	HS	No	304 SS Baffle	Internal	1300	1200	No	No	13
VS Rotary with Memory	HS	No	304 SS Baffle	Internal	1250	1200	No	No	13
3-S, Elec Rotary	HS	No	SS Baffle	Internal	1250	1040/480	No	No	3.0–11.5

ELECTRIC		DUCT		BACKDRAFT DAMPER	MOUNTING HEIGHT ABOVE COOKTOP ⁵		
Amps @ 120V	Connection	Size at Hood ⁴	Direction		8' Ceiling	9' Ceiling	10' Ceiling with Flue Ext. ⁶
9.0 Max	Direct	10"	V	Included	36" +	36" +	36" +
7.4 Max	Direct	10"	V	Included w/ blower	36" +	36" +	36" +
7	Direct	10"	V	Not Included	36"	36"	36"
7	Direct	10"	V	Not Included	36"	36"	36"
5	Direct	8"	V	Included	36"	36"	36"

2. Control Abbreviations: ASC = Automatic Sensor Control, AR = Air Refresh, HS = Heat Sentry™, FT = Filter Timer, DO = Delay-Off, LS = Light Sensor, PB = Pushbutton, EL = Electronic, EPB = Electronic Pushbutton, DSP = Display, VS = Variable Speed, S = Speed, B = Boost, LCD = Liquid Crystal Display, LED = Light Emitting Diode.

4. Damper/Adapter is included with products in the duct size indicated for hoods using external blowers. See page 64 for duct size, may require transition to 10".

5. Range of recommended mounting heights above the cooking surface (assumes cooktop to be 36" above floor). The distance above a cooktop must not be less than 24" unless otherwise noted.

6. Chimney and Island Hoods require optional flue extension for 10' or 11' ceiling.

+ The telescopic flue or device will allow installations at mounting heights greater than the indicated limit.

§ = Flue extension designed for 10'–11' ceiling application.

Built-In & Downdraft Range Hood Specifications

MODEL	PAGE	DIMENSIONS		FINISH ¹		LIGHTING			
		Width	Depth	Standard	Special Order	Type	Qty	Levels	Incl.
BUILT-IN CC34E-63"	11	63-1/2"	27-9/16"	Brushed SS	No	LED Strips 3W	4	3	Yes
CC34IQ-63"	11	63-1/2"	27-9/16"	Brushed SS	No	LED Strips 3W	4	3	Yes
CC34IQT-63"	11	63-1/2"	27-9/16"	Brushed SS	No	LED Strips 3W	4	3	Yes
CC34E-43"	12	43-3/8"	27-1/2"	Brushed SS	No	LED 3W	6	1	Yes
CC34IQ-43"	12	43-3/8"	27-1/2"	Brushed SS	No	LED 3W	6	1	Yes
CP34	13	28-3/8", 34-3/8", 40-3/8"	19-1/4"	430 SS	No	Halo., MR16; GU10-50W	2	2	Yes
CP35	13	28-3/8", 34-3/8", 40-3/8"	19-1/4"	430 SS	No	Halo., MR16; GU10-50W	2	2	Yes
CP37	13	46-3/8"	22-1/2"	430 SS	No	Halo., MR16; GU10-50W	2	2	Yes
CC45I	20	34"	13"	304 SS	No	LED 8.5W	1 Strip	3	Yes
CC45E	20	34"	13"	304 SS	No	LED 8.5W	1 Strip	3	Yes
CP55I	14	34-3/8" (46-3/8")	19-1/4"	430 SS	No	Halo., MR16; GU10-50W	2 (4)	4	Yes
CP57E	14	34-3/8", 46-3/8" (58-3/8")	22-1/2"	430 SS	No	Halo., MR16; GU10-50W	2 (4)	4	Yes
CP57I	14	46-3/8" (52-3/8", 58-3/8", 64-3/8")	22-1/2"	430 SS	No	Halo., MR16; GU10-50W	2 (4)	4	Yes
CC65I (67I)	18	28-1/2"	14-3/4"	430 SS	No	LED 5.5W	2	2	Yes
P195ES70SB	17	20-1/2" (27-1/2")	11-1/4"	430 SS	No	Fluor., G24Q-1; 13W	2	1	Yes
P195P1M52SB6 (70SB6)	16	21-3/16" (28-5/16")	11-1/8"	430 SS	No	Halo., T3; G-4, 20W	2	2*	Yes
P195P2	16	28-5/16"	11-1/8"	430 SS	No	Halo., T3; G-4, 20W	2	2*	Yes
PK22	15	27-3/4", 36-1/2" (43-7/16")	15-13/16"	430 SS	No	Halo., MR16	2 (3)	1	Yes
PKEX22	15	36-1/2" (43-7/16")	15-13/16"	430 SS	No	Halo., MR16	3 (4)	1	Yes
U102I	19	30", 36"	12-3/4", 18-1/2"	304 SS	No	Halo., G4-20W	2	2	Yes
UCB3	21	30", 36"	20-1/8"	430 SS	No	LED 5.5W	2	3	Yes

MODEL	PAGE	DIMENSIONS		FINISH ¹		LIGHTING			
		Width	Depth	Standard	Special Order	Type	Qty	Levels	Incl.
DOWNDRAFT D49M	41	30", 36", 48"	2-1/4"	304 SS	No	LED 7W (30"), 14W (36"), 18W (48")	1	2	Yes
DC54M	44	4-3/4"	19-1/8"	304 SS	No	NA	NA	NA	NA

1. Finish Abbreviations: 304 SS = 304 Professional Grade Brushed Stainless Steel, 316 SS = 316 Marine Grade Brushed Stainless Steel, 430 SS = 430 Standard Grade Brushed Stainless Steel (430 stainless steel finish is not recommended for installations along saltwater coastal areas).

	CONTROL			FILTER	BLOWER	MAX Blower CFM	HOOD PERFORMANCE			
	Type	Feature ²	Remote	Standard	Type		High CFM/Low CFM	CFM Reducer Kit	CRT	Sones Low/High
4-S EL Light Touch	HS, DO, FT	ACR3		Perimeter	Exterior, In-line	See EB6, 9, 12, 15 See ILB3, 6, 9, 11		NA	Yes	—
4-S EL Light Touch	HS, DO, FT	ACR3		Perimeter	iQ6	800	500/120	NA	Yes	0.3/5.5 (B-8.5)
4-S EL Light Touch	HS, DO, FT	ACR3		Perimeter	iQ12	1500	1100/295	NA	Yes	0.6 (B-10.5)
4-S EL Light Touch	HS, DO, FT	ACR3		Perimeter	Exterior, In-line	See EB6, 9, 12, 15 See ILB3, 6, 9, 11		NA	Yes	—
4-S EL Light Touch	HS, DO, FT	ACR3		Perimeter	iQ6	800	510/100	NA	Yes	0.3/8.0
VS Rotary with separate on/off	HS	No		SS Baffle	Internal	290	290/130	No	No	3.0/11.5
VS Rotary with separate on/off	HS	No		SS Baffle	Internal	670	600/190	No	No	2.0/12.0
VS Rotary with separate on/off	HS	No		SS Baffle	Internal	1350	1200/380	No	No	2.0/13.5
4-S Infrared	HS, DO, FT	Opt. ACR3		SS Mesh	iQ6	650	500/200	No	No	0.8/7.5
4-S Infrared	HS, DO, FT	Opt. ACR3		SS Mesh	Exterior, In-line	See EB6, 9, 12, 15 See ILB3, 6, 9, 11		No	No	—
3-S+Boost EPB	HS, DO, FT	Opt. ACR3		Hi-Flow Baffle	iQ12	800	600/150	ARP8	Yes	0.6/5.5 (B-8.5)
4-S EPB	HS, DO, FT	Opt. ACR3		Hi-Flow Baffle	Exterior, In-line	See EB6, 9, 12, 15 See ILB3, 6, 9, 11		No	Yes	—
3-S+Boost EPB	HS, DO, FT	Opt. ACR3		Hi-Flow Baffle	Internal	1500	1100/310	No	Yes	0.3/7.0 (B-10)
4-S EPB	HS, DO	No		Slim Baffle	Internal	650 (1300)	210(370)/570(1000)	No	No	1.1(1.5)/8.5(12.0)
3-S Slide	HS	No		Alum Mesh	Internal	370	290/120 (370/120)	No	No	0.5/5.0 (0.3-5.0)
4-S EPB w/DSP	—	Opt. ACR3		Perimeter	Internal	650	520/190 (520/200)	No	No	1.0/9.5 (1.0-8.0)
4-S EPB w/DSP	—	Opt. ACR3		Perimeter	Internal	1300	800/310	No	No	2.0/12.0
3-S+Boost EPB	HS, DO, FT	Opt. ACR3		Hi-Flow Baffle	Internal	1500	1100 (250)	No	No	0.6/8.5 (B-11.3)
3-S+Boost EPB	HS, DO, FT	Opt. ACR3		Hi-Flow Baffle	Exterior, In-line	See EB6, 9, 12, 15 See ILB3, 6, 9, 11		No	No	—
4-S PB	HS, DO, FT	No		SS Mesh	Internal	575	500/240	ARP8	No	2.0/10.0
4-S Soft Touch	HS, DO	No		Hybrid Baffle	Internal	550	500/160	No	Yes	1.0/9.5

	CONTROL			FILTER	BLOWER	MAX Blower CFM	HOOD PERFORMANCE			
	Type	Feature ²	Remote	Standard	Type		High CFM/Low CFM	CFM Reducer Kit	CRT	Sones Low/High
4-S Capacitive Glass	HS, DO, FT	Opt. ACRD		Mesh	Internal	See PF6, EB6, 9, 12, 15 See ILB3, 6, 9, 11		—	Yes	—
3-S Capacitive	DO, FT	Opt. ACR3		Alum Mesh	Internal	650	See Page 61	No	No	See Page 61

2. Control Abbreviations: ASC = Automatic Sensor Control, AR = Air Refresh, HS = Heat Sentry™, FT = Filter Timer, DO = Delay-Off, LS = Light Sensor, PB = Pushbutton, EL = Electr onic, EPB = Electronic Pushbutton, DSP = Display, VS = Variable Speed, S = Speed, B = Boost, LCD = Liquid Crystal Display, LED = Light Emitting Diode.

Built-In & Downdraft Range Hood Specifications

MODEL	PAGE	NON-DUCT			ACCESSORIES				
		Capability	Recirculating Flue	Recirculating Kit ³	Flue Extension	Backsplash	Liners	Deco Trim	
BUILT-IN	CC34E-63"	11	No	NA	ANKCC3463	NA	NA	NA	NA
	CC34IQ-63" (T)	11	Yes	NA	ANKCC3463	NA	NA	NA	NA
	CC34E-43"	11	No	NA	ANKCC64	NA	NA	NA	White Glass Panels AGPCC34W
	CC34IQ-43"	12	Yes	NA	NA	NA	NA	NA	White Glass Panels AGPCC34W
	CP34	12	No	No	No	NA	NA	Integrated	NA
	CP35	13	No	No	No	NA	NA	Integrated	NA
	CP37	13	No	No	No	NA	NA	Integrated	NA
	CC45I	13	Yes	No	ANKCC45	AECC45SB	No	NA	No
	CC45E	20	No	No	No	No	No	NA	No
	CP55I	20	Yes	Add Duct	ANKCP55	NA	NA	Integrated	NA
	CP57E	14	No	No	No	NA	NA	Integrated	NA
	CP57I	14	No	No	No	NA	NA	Integrated	NA
	CC65I (67I)	14	No	No	No	NA	NA	ALCC6(30,36,42)SB	NA
	P195ES70SB	18	Yes	Add Duct	FILTEREB40	NA	NA	(L7030/L7036/L7048)	NA
	P195P1M52SB6 (70SB6)	17	Yes	Add Duct	AFCP195P52, AFCP195P70	NA	NA	L5230, L7036, L7048	NA
	P195P2	16	No	No	No	NA	NA	L5230, L7036, L7048	NA
	PK22	16	No	No	No	NA	NA	AL30, AL39, AL45	NA
	PKEX22	15	No	No	No	NA	NA	AL39, AL45	NA
	U102E	15	No	No	No	NA	NA	NA	NA
	U102I	19	Yes	Add Duct	ROUNDFILTER	NA	NA	NA	NA
	UCB3	21	No	NA	No	NA	No	No	No

MODEL	PAGE	NON-DUCT			ACCESSORIES				
		Capability	Recirculating Flue	Recirculating Kit ³	Flue Extension	Backsplash	Liners	Deco Trim	
DOWNDRAFT	DC54M	41	Yes	NA	ANKD	NA	NA	NA	NA
	D49M	44	Yes	No	ANKD	NA	NA	NA	ATKD Range Kit

3. Recirculating kits are necessary to make some models ready for non-ducted operation.

	ELECTRIC		DUCT		BACKDRAFT DAMPER	MOUNTING HEIGHT ABOVE COOKTOP ⁵		
	Amps @ 120V	Connection	Size at Hood ⁴	Direction		8' Ceiling	9' Ceiling	10' Ceiling with Flue Ext. ⁶
6.5	Direct	10"	V	Included	60"	72"	NA	
4	Direct	8" (10")	H	Included	60"	72"	NA	
6.5	Direct	8"	V	Included	60"	72"	NA	
4	Direct	8"	H	Included	60"	72"	NA	
5	Direct	8"	V	Included	24"-30" +	24"-30" +	24"-30" +	
5	Direct	8"	V	Included	24"-30" +	24"-30" +	24"-30" +	
9	Direct	10"	V	Included	24"-30" +	24"-30" +	24"-30" +	
3.2	Direct	8"	V	Included	24"-30"	24"-30"	24"-30"	
0.2	Direct	8"	V	Included	24"-30"	24"-30"	24"-30"	
36": 3.7; 48": 4.5	Direct	8"	V	Included	24"-30" +	24"-30" +	24"-30" +	
7.67 Max	Direct	10"	V	Included	24"-30" +	24"-30" +	24"-30" +	
7.0 Max	Direct	10"	V	Included	24"-30" +	24"-30" +	24"-30" +	
6 (9.5)	Direct	3-1/4"x10" (10")	V or H (V)	Included	24"-30"	24"-30"	24"-30"	
2.8	Plug	6"	V	Included w/blower	24"-30"	24"-30"	24"-30"	
3.4	Direct	6"		Included w/blower	24"-30"	24"-30"	24"-30"	
5.4.0	Direct	8"	V	Included w/blower	24"-30"	24"-30"	24"-30"	
8.5 Max	Direct	10"	V	Included	24"-30" +	24"-30" +	24"-30" +	
8.5 Max	Direct	10"	V	Included w/blower	24"-30" +	24"-30" +	24"-30" +	
6.9 Max	Direct	8"	V	See blower	22-1/2"-30" +	22-1/2"-30" +	22-1/2"-30" +	
3	Direct	8"	V	Included w/blower	22-1/2"-30" +	22-1/2"-30" +	22-1/2"-30" +	
1.8	Plug-in	3-1/4"x10"	V & H	Included	24"-30" +	24"-30" +	24"-30" +	

	ELECTRIC		DUCT		BACKDRAFT DAMPER	MOUNTING HEIGHT ABOVE COOKTOP ⁵		
	Amps @ 120V	Connection	Size at Hood ⁴	Direction		8' Ceiling	9' Ceiling	10' Ceiling with Flue Ext. ⁶
3	Plug-in	8"	H, left or right	Not Included	NA	NA	NA	
6.0 Max	Plug	8", 10", 1-7/8 x 19"	Front, Left, Right, Rear or Down	Not Included	NA	NA	NA	

4. Damper/Adapter is included with products in the duct size indicated for hoods using external blowers. See page 64 for duct size, may require transition to 10".

5. Range of recommended mounting heights above the cooking surface (assumes cooktop to be 36" above floor). The distance above a cooktop must not be less than 24" unless otherwise noted.







[BESTRangeHoods.com](https://www.BESTRangeHoods.com)

926 West State Street, Hartford, Wisconsin 53027
In U.S.A. 800-558-1711, In Canada 866-737-7770